



Product technical sheet

RECYCLED RC1438



3 - 14 years



12 kids



38,1 m²



Material specification

- The structure is made of a durable, moisture-resistant and low-temperature recycled composite,
- Hot-dip galvanized and powder coated or powder galvanized and powder coated or stainless steel construction elements,
- Platforms and climbing walls made of durable anti-slip and waterproof plywood or HPL plate,
- Structure for platforms made of hot-dip galvanized and powder coated steel;
- Roofs and side panels made of recycled HDPE plates, resistant to weather conditions, green HDPE panels made of 100% recycled materials, e.g. ocean waste such as fishing nets and ropes
- Slides made of stainless steel with sides made of recycled HDPE boards, resistant to atmospheric conditions,
- Fireman's pole made of stainless steel,
- Manipulative panels made of recycled HDPE plates, resistant to weather conditions, green HDPE panels made of 100% recycled, e.g. ocean waste such as fishing nets and ropes,
- Climbing stones made of green HDPE plates made of 100% recycled material, e.g. ocean waste such as fishing nets and ropes, resistant to weather conditions,
- Steel ropes in polypropylene braid, connected with durable plastic elements, stainless steel or aluminum,
- Attested, safe seats,
- Calibrated stainless steel chains, preventing fingers entrapment,
- Stainless steel swing fittings,
- Stainless steel bars,
- Screws covered with plastic caps and/or stainless steel screws,
- Safe end caps made of polypropylene,



Facilitating disability



easy access



integration



Intellectual development



manipulation



thinking



Physical development



sliding



pull-up



climbing



rocking





1
number of towers



1
number of slides



1
number of roofs



3
number of interactive elements



2
number of activity elements

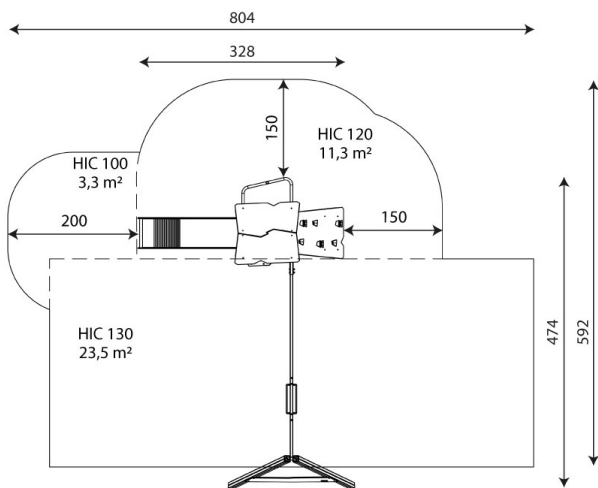
Product technical sheet

RECYCLED RC1438

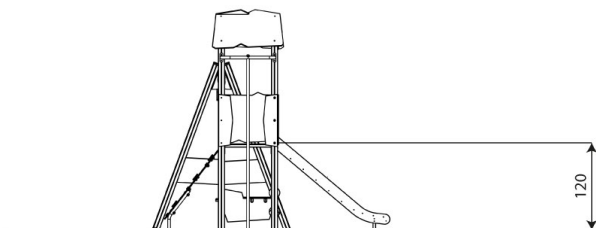
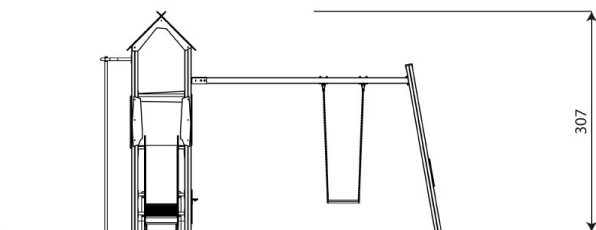
Product data

Length	328 cm
Width	474 cm
Total height	307 cm
Age group	3 - 14 years
Number of users	12 kids
Safety zone	38,1 m ²
Free fall height	130 cm
The height of the platforms	120 cm
In accordance with norm EN	1176-1:2017
Weight of the heaviest part	24 kg
Dimensions of the largest part	292x9x9 cm
Availability of spare parts	YES
Installation time	4,5 h

Data is subject to change without prior notice.



38,1 m²



Additional information

- equipment adapted for the disabled; intended for public playgrounds;
- equipment has a certificate issued by an accredited entity or a declaration of conformity;
- available types of seats in the swing: R1-flat, R2-basket, R3-flat belt, R5-flat with barrier;
- no sharp edges or chinks that would pose a danger of jamming the head, fingers or any other body parts;
- anchoring on flat surface, 80/70/60 cm deep;
- slide should not be installed southwards;
- render is for reference only, the actual appearance of the equipment and its color may vary;

Guarantee

30 30 year guarantee - Structural strength of steel and stainless steel components

15 15 year guarantee - Structural failure of steel and stainless steel, for dynamic equipment

10 10 year guarantee - Structural failure of high density polyethylene and high pressure laminates components

5 5 year guarantee - Corrosion of stainless steel and hot dip galvanized and powder coated components; against bark beetles and rot in case of wooden structural elements

Detailed information in the guarantee card

Vinci Group Sp. z o.o.
Seminaryjna 9 Street
99-400 Łowicz

VAT: 534-250-14-46
PHONE: +48 42 203 24 99 ext. 26
M: +48 793 404 991



biuro@vinci-play.com
info@vinci-play.com
www.vinci-play.com

Surfaces according to EN 1176-1:2017

	Description (mm)	Layer thickness (cm)	Maximum fall heights (cm)
Turf/ top layer of soil (A,B,C)	-	-	≤100
bark (A,C)	Particle size from 20 to 80	30	≤200
		40	≤300
woodchips (A,C)	Particle size from 5 to 30	30	≤200
		40	≤300
sand or gravel (A,C)	Particle size from 0,25 to 8	30	≤200
		40	≤300
synthetic attested (A,B,C)	Tested according to EN 1177		130

Product technical sheet

RECYCLED RC1438

Amount of safe surface corresponding with free fall height:

HIC 100	3,3 m ²
HIC 120	11,3 m ²
HIC 130	23,5 m ²

Data is subject to change without prior notice.

