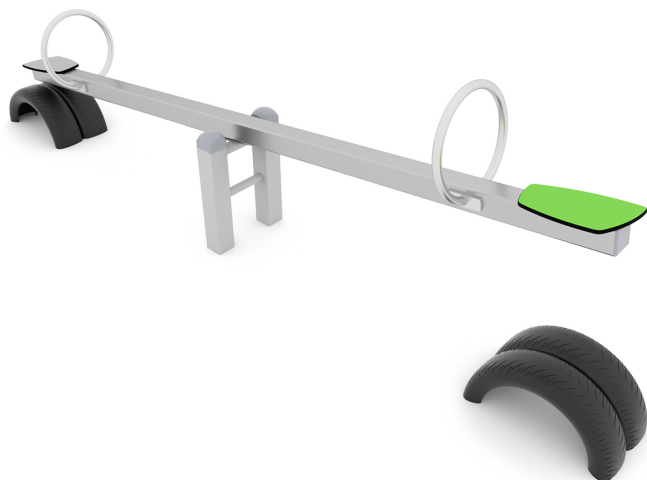


Product technical sheet

SWING ST0524



3 - 14 years



2 kids



11,4 m²

Material specification

- Stainless steel and hot-dip galvanized and powder coated steel construction,
- Seats made of durable HDPE plate, resistant to weather conditions,
- Handles made of stainless steel,
- Stainless steel screws and/or screws covered with plastic caps,
- Safe end caps on top of the structure made of rubber or polypropylene,



Physical development

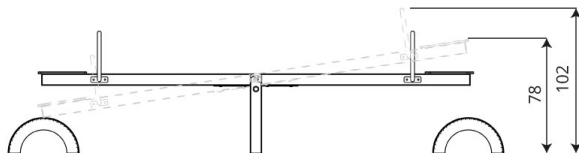
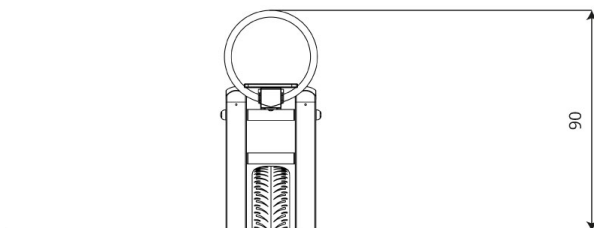
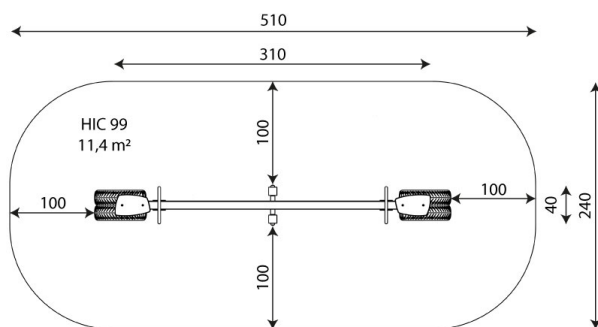


community



rocking





Product technical sheet

SWING ST0524

Product data

Length	310 cm
Width	40 cm
Total height	90 cm
Age group	3 - 14 years
Number of users	2 kids
Safety zone	11,4 m2
Free fall height	99 cm
In accordance with norm EN	1176-1:2017
Weight of the heaviest part	15 kg
Dimensions of the largest part	301x8x8 cm
Availability of spare parts	YES
Installation time	2 h

Color options 

Data is subject to change without prior notice.

Additional information

- equipment intended for public playgrounds;
- equipment has a certificate issued by an accredited entity or a declaration of conformity;
- no sharp edges or chinks that would pose a danger of jamming the head, fingers or any other body parts;
- anchoring on flat surface, 80/70/60 cm deep;
- render is for reference only, the actual appearance of the equipment and its color may vary;

Guarantee

30 30 year guarantee - Structural strength of steel and stainless steel components

15 15 year guarantee - Structural failure of steel and stainless steel, for dynamic equipment

10 10 year guarantee - Structural failure of high density polyethylene and high pressure laminates components

5 5 year guarantee - Corrosion of stainless steel and hot dip galvanized and powder coated components; against bark beetles and rot in case of wooden structural elements

Detailed information in the guarantee card



Surfaces according to EN 1176-1:2017

	Description (mm)	Layer thickness (cm)	Maximum fall heights (cm)
Turf/ top layer of soil (A,B,C)	-	-	≤100
bark (A,C)	Particle size from 20 to 80	30	≤200
		40	≤300
woodchips (A,C)	Particle size from 5 to 30	30	≤200
		40	≤300
sand or gravel (A,C)	Particle size from 0,25 to 8	30	≤200
		40	≤300
synthetic attested (A,B,C)	Tested according to EN 1177		99

Product technical sheet

SWING ST0524

Amount of safe surface corresponding with free fall height:

HIC 99 11,4 m²

Data is subject to change without prior notice.

