**Product technical sheet****SOLO 1758**

3 - 14 years



3 kids

27,4 m<sup>2</sup>**Material specification**

- Powder galvanized and powder coated or stainless steel construction of 80 x 80 mm profile,
- Platforms made of durable anti-slip and waterproof HPL plate,
- Side panels made of durable HDPE plate, resistant to weather conditions
- Slides made of stainless steel with durable HDPE side panels,
- Stainless steel bars,
- Stainless steel screws and/or screws covered with plastic caps,
- Safe end caps on top of the structure made of rubber or polypropylene,

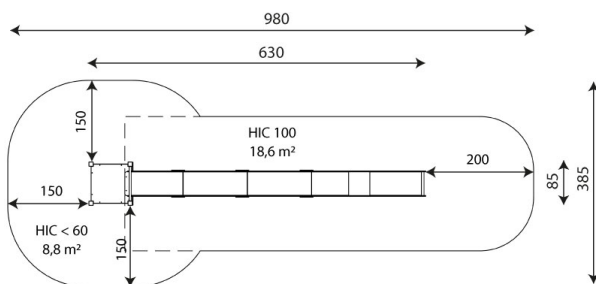
**Physical development**

sliding

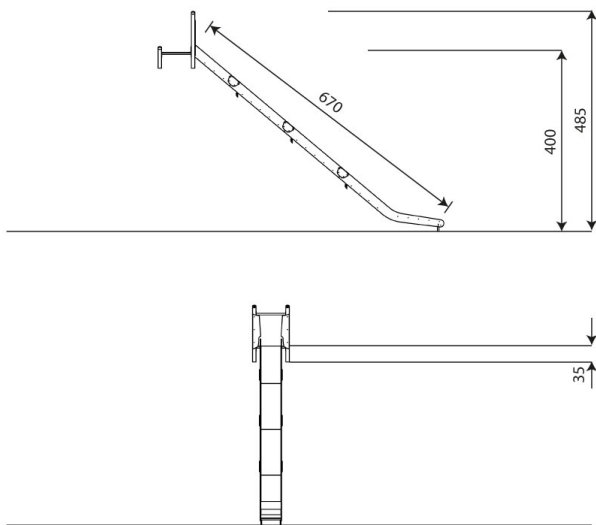




**1**  
number of slides



27,4 m<sup>2</sup>



## Product technical sheet

# SOLO 1758

### Product data

Length	630 cm
Width	85 cm
Total height	485 cm
Age group	3 - 14 years
Number of users	3 kids
Safety zone	27,4 m <sup>2</sup>
Free fall height	< 60 cm
The height of the platforms	35 cm
In accordance with norm EN	1176-1:2017
Weight of the heaviest part	32 kg
Dimensions of the largest part	247x121x52 cm
Availability of spare parts	YES
Installation time	3 h

Data is subject to change without prior notice.

### Additional information

- equipment intended for public playgrounds;
- equipment has a certificate issued by an accredited entity or a declaration of conformity;
- no sharp edges or chinks that would pose a danger of jamming the head, fingers or any other body parts;
- anchoring on flat surface, 80/70/60 cm deep;
- slide should not be installed southwards;
- render is for reference only, the actual appearance of the equipment and its color may vary;

## Guarantee

**30**

30 year guarantee - Structural strength of steel and stainless steel components

**15**

15 year guarantee - Structural failure of steel and stainless steel, for dynamic equipment

**10**

10 year guarantee - Structural failure of high density polyethylene and high pressure laminates components

**5**

5 year guarantee - Corrosion of stainless steel and hot dip galvanized and powder coated components; against bark beetles and rot in case of wooden structural elements

Detailed information in the guarantee card



# SOLO 1758

## Surfaces according to EN 1176-1:2017

	Description (mm)	Layer thickness (cm)	Maximum fall heights (cm)
Turf/ top layer of soil (A,B,C)	-	-	≤100
bark (A,C)	Particle size from 20 to 80	30	≤200
		40	≤300
woodchips (A,C)	Particle size from 5 to 30	30	≤200
		40	≤300
sand or gravel (A,C)	Particle size from 0,25 to 8	30	≤200
		40	≤300
synthetic attested (A,B,C)	Tested according to EN 1177		100

### Amount of safe surface corresponding with free fall height:

HIC <60 8,8 m<sup>2</sup>

HIC 100 18,6 m<sup>2</sup>

Data is subject to change without prior notice.

