

Product technical sheet

WORKOUT RB2325



14+



< 140 kg

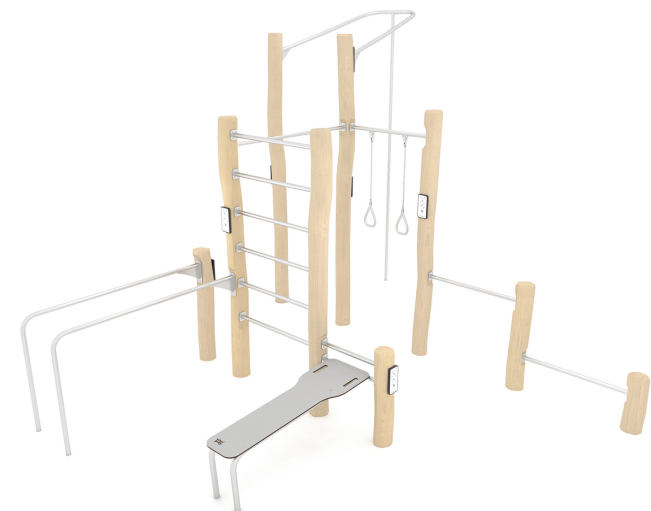
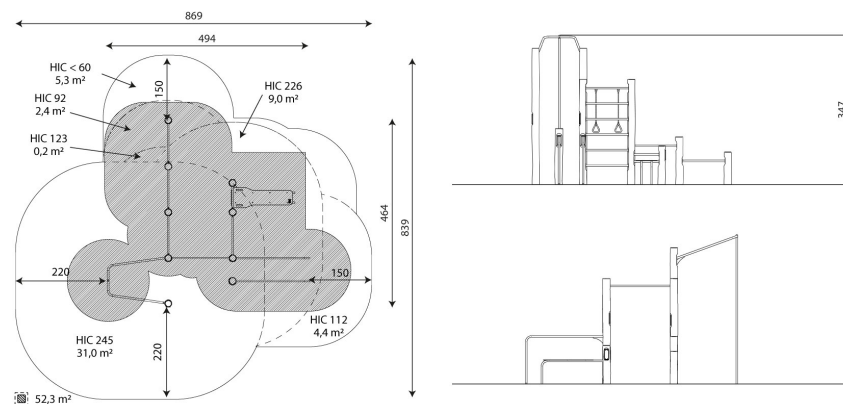


52,3 m²

Product data

Length	494 cm
Width	464 cm
Total height	347 cm
Age group	14+ years
Maximum weight of user	140 kg
Safety zone	52,3 m ²
Free fall height	245 cm
In accordance with norm EN	16630:2015
Weight of the heaviest part	96 kg
Dimensions of the largest part	4x4x450 cm
Availability of spare parts	YES
Installation time	6 h

Data is subject to change without prior notice.



vinci
play



Vinci Group Sp. z o.o.
Seminaryjna 9 Street
99-400 Łowicz

VAT: 534-250-14-46
PHONE: +48 42 203 24 99 ext. 26
M: +48 793 404 991

22/07/2022

workout

biuro@vinci-play.com
info@vinci-play.com
www.vinci-play.com

1 / 3

Material specification



Construction made of Robinia - very durable acacia wood with a diameter of ~ 18 cm without sharp edges, resistant to weather conditions,



Aluminum exercise instructions plate screwed to HDPE plate, resistant to weather conditions,



Seats/backrests made of durable HPL plate, resistant to weather conditions,



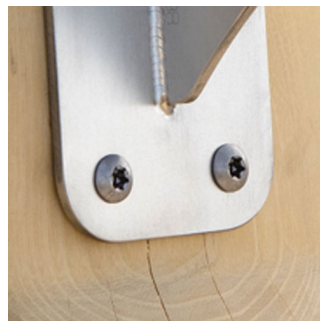
Stainless steel bars with a diameter of 38 mm for a comfortable grip during exercises.



Stainless steel bars and handrails,



Certified handles and calibrated chains made of stainless steel, preventing fingers from getting caught,



Stainless steel screws and/or screws covered with plastic caps,

Additional information

- equipment adapted for the disabled; device intended for public outdoor gyms;
- equipment has a certificate issued by an accredited entity or a declaration of conformity;
- no sharp edges or chinks that would pose a danger of jimmie the head, fingers or any other body parts;
- anchoring on flat surface, 100 cm deep;
- render is for reference only, the actual appearance of the equipment and its color may vary;

Guarantee

- 30** 30 year guarantee - Structural strength of steel and stainless steel components
- 15** 15 year guarantee - Structural failure of steel and stainless steel, for dynamic equipment
- 10** 10 year guarantee - Structural failure of high density polyethylene and high pressure laminates components
- 5** 5 year guarantee - Corrosion of stainless steel and hot dip galvanized and powder coated components; against bark beetles and rot in case of wooden structural elements

Detailed information in the guarantee card

Vinci Group Sp. z o.o.
Seminaryjna 9 Street
99-400 Łowicz

VAT: 534-250-14-46
PHONE: +48 42 203 24 99 ext. 26
M: +48 793 404 991

22/07/2022

workout

biuro@vinci-play.com
info@vinci-play.com
www.vinci-play.com

2 / 3

Amount of safe surface corresponding with free fall height:

HIC <60	5,3 m ²
HIC 92	2,4 m ²
HIC 112	4,4 m ²
HIC 123	0,2 m ²
HIC 226	9,0 m ²
HIC 245	31,0 m ²

Data is subject to change without prior notice.

Surfaces according to EN 16630:2015

	Description (mm)	Layer thickness (cm)	Maximum fall height (cm)
	Concrete / stone / bituminous surfaces (A, B, C)	-	≤100
	outer soil layer (A,B,C)	-	≤120
	Turf (A,B,C)	-	≤150
bark (A,C)	Particle size from 20 to 80	30	≤200
		40	≤300
wood shavings/cuttings (A, C)	Particle size from 5 to 30	30	≤200
		40	≤300
sand (A,C)	Particle size from 0,2 to 2 mm	30	≤200
		40	≤300
gravel (A,C)	Particle size from 2 to 8	30	≤200
		40	≤300
attested synthetic (A, B, C)	Tested according to EN 1177		245



Vinci Group Sp. z o.o.
Seminaryjna 9 Street
99-400 Łowicz

VAT: 534-250-14-46
PHONE: +48 42 203 24 99 ext. 26
M: +48 793 404 991

workout

biuro@vinci-play.com
info@vinci-play.com
www.vinci-play.com