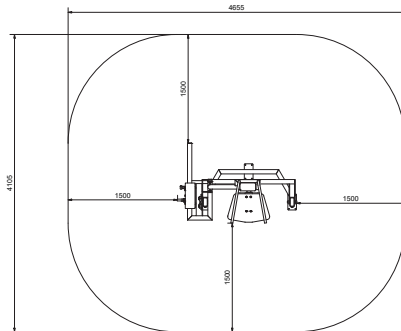
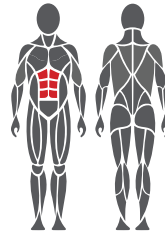


Use and movement areas



Target muscles



Foundation

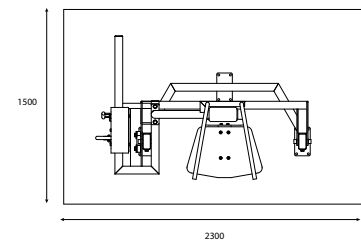


1. For example artificial turf or moldable safety platform max. 20 mm
2. Concrete min. 120 mm below equipments
3. Ground frost insulation, thickness based on the ground

Concrete casting and positioning

Length 2300 mm
Width 1500 mm
Thickness 200 mm

- Ground frost insulation
- Rebaring
- Adequate drying time must be ensured



Product specification

Length	1090 mm
Width	1650 mm
Height	1520 mm
Equipment weight	167 kg
User height	+ 140 cm
Age	+ 14
Safety area	17,2 m ²
Base	surface mounting to concrete
Standard	EN16630
Country of manufacture	Finland
Metal parts	Steel
Tube strengths	3-6 mm
Coating solution	Zink and powder coating

Details

- Effective and safe exercise equipment
- Adjustable loading
- Maintenance-free polymer bearing
- 5-75 kg (1x weight unit)
- The product comes in RAL Classic colour 5012 (blue) as standard. RAL Classic colours 1017 (yellow), 3020 (red), 6018 (green) and 7024 (grey) are available at an additional cost.
- Can be installed on a movable platform

Important

Installation depth for all Omnigym® units: top surface of the concrete base on the ground level or max. -20 mm allowance for the surface material to be used. (See foundation figure)