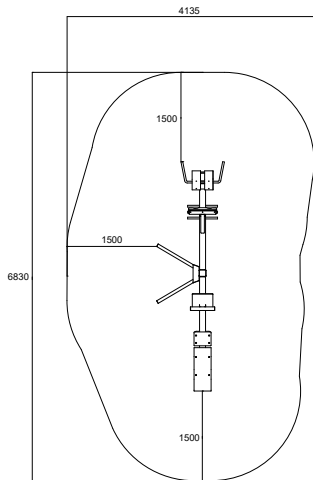


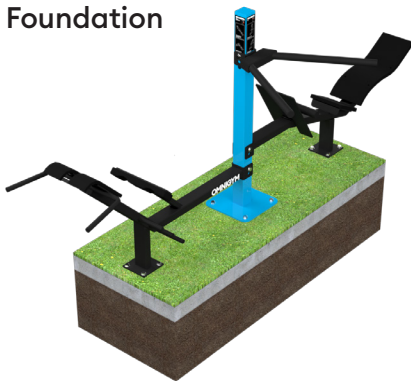
Use and movement areas



Target muscles



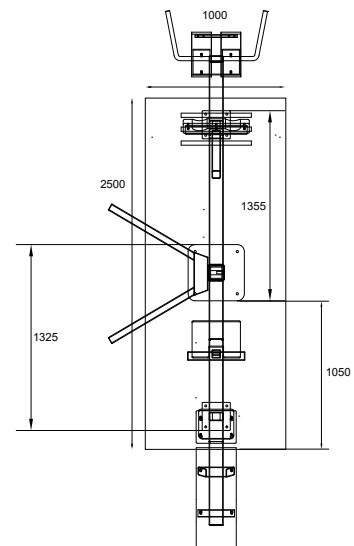
Foundation



1. For example artificial turf or moldable safety platform max. 20 mm
2. Concrete min. 120 mm below equipments
3. Ground frost insulation, thickness based on the ground

Concrete casting and positioning

- Length 2500 mm
Width 1000 mm
Thickness 120-150 mm
- Ground frost insulation
 - Rebaring
 - Adequate drying time must be ensured



Product specification

| | |
|------------------------|------------------------------|
| Length | 3830 mm |
| Width | 1135 mm |
| Height | 1430 mm |
| Equipment weight | 141,2 kg |
| User height | + 140 cm |
| Age | + 14 |
| Safety area | 23,3 m ² |
| Base | surface mounting to concrete |
| Standard | EN16630 |
| Country of manufacture | Finland |
| Metal parts | steel |
| Tube strengths | 3-6 mm |
| Coating solution | Zink and powder coating |

Details

- Effective and safe exercise equipment
- Back Extension, Dip Bars and Abdominal Bench
- The product comes in RAL Classic colour 5012 (blue) as standard. RAL Classic colours 1017 (yellow), 3020 (red), 6018 (green) and 7036 (grey) are available at an additional cost.

Important

Installation depth for all Omnigym® units: top surface of the concrete base on the ground level or max. -20 mm allowance for the surface material to be used. (See foundation figure)

