



Product technical sheet

SOLO WD1456



1 - 12 years



5 kids



13,7 m²

Material specification

- Construction made of the highest quality laminated, impregnated and double coated pine wood 90 x 90 mm without knots, secured from the top with polypropylene plugs,
- Metal anchors made of hot dip galvanized steel, protecting the wood from direct contact with the ground to prevent rot and to extend the product's life,
- Hot-dip galvanized steel construction,
- Colorful elements made of durable HDPE plate, resistant to weather conditions,
- Calibrated stainless steel chains, preventing fingers entrapment,
- Screws covered with plastic caps and/or stainless steel screws,



Facilitating disability



easy access



integration



Intellectual development



manipulation



le sensoriel



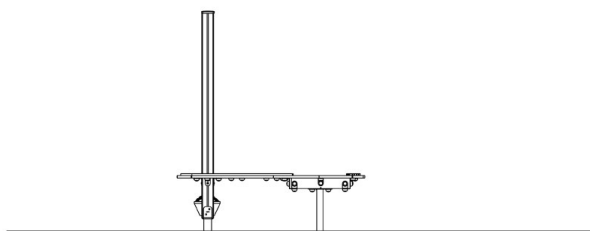
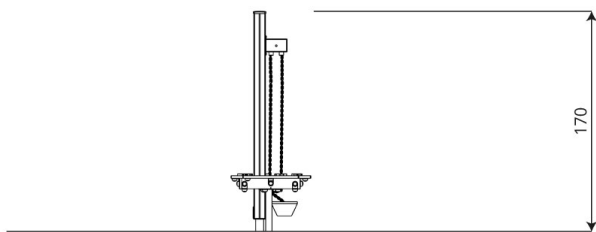
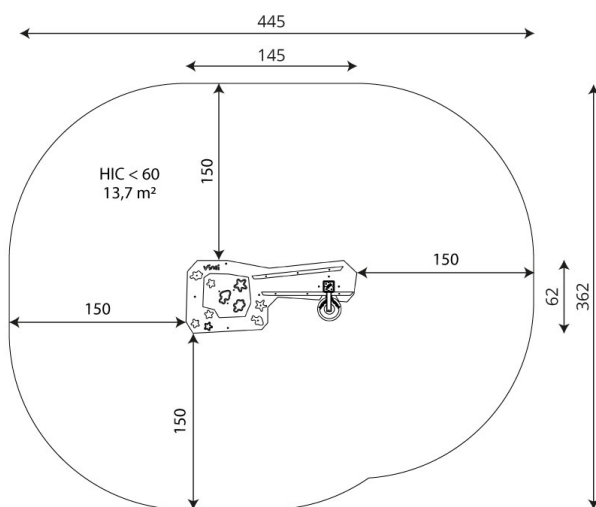
thinking





2

number of interactive elements



Product technical sheet

SOLO WD1456

Product data

Length	145 cm
Width	62 cm
Total height	170 cm
Age group	1 - 12 years
Number of users	5 kids
Safety zone	13,7 m ²
Free fall height	<60 cm
In accordance with norm EN	1176-1:2017
Weight of the heaviest part	9 kg
Dimensions of the largest part	157x90x90 cm
Availability of spare parts	YES
Installation time	1,0 h
Color options	

Data is subject to change without prior notice.

Additional information

- equipment adapted for the disabled; intended for public playgrounds;
- equipment has a certificate issued by an accredited entity or a declaration of conformity;
- no sharp edges or chinks that would pose a danger of jimmie the head, fingers or any other body parts;
- anchoring on flat surface, 80/70/60 cm deep;
- render is for reference only, the actual appearance of the equipment and its color may vary;

Guarantee

30

30 year guarantee - Structural strength of steel and stainless steel components

15

15 year guarantee - Structural failure of steel and stainless steel, for dynamic equipment

10

10 year guarantee - Structural failure of high density polyethylene and high pressure laminates components

5

5 year guarantee - Corrosion of stainless steel and hot dip galvanized and powder coated components; against bark beetles and rot in case of wooden structural elements

Detailed information in the guarantee card



SOLO WD1456

Surfaces according to EN 1176-1:2017

	Description (mm)	Layer thickness (cm)	Maximum fall heights (cm)
Turf/ top layer of soil (A,B,C)	-	-	≤100
bark (A,C)	Particle size from 20 to 80	30	≤200
		40	≤300
woodchips (A,C)	Particle size from 5 to 30	30	≤200
		40	≤300
sand or gravel (A,C)	Particle size from 0,25 to 8	30	≤200
		40	≤300
synthetic attested (A,B,C)	Tested according to EN 1177		60

Amount of safe surface corresponding with free fall height:

HIC <60 13,7 m²

Data is subject to change without prior notice.

