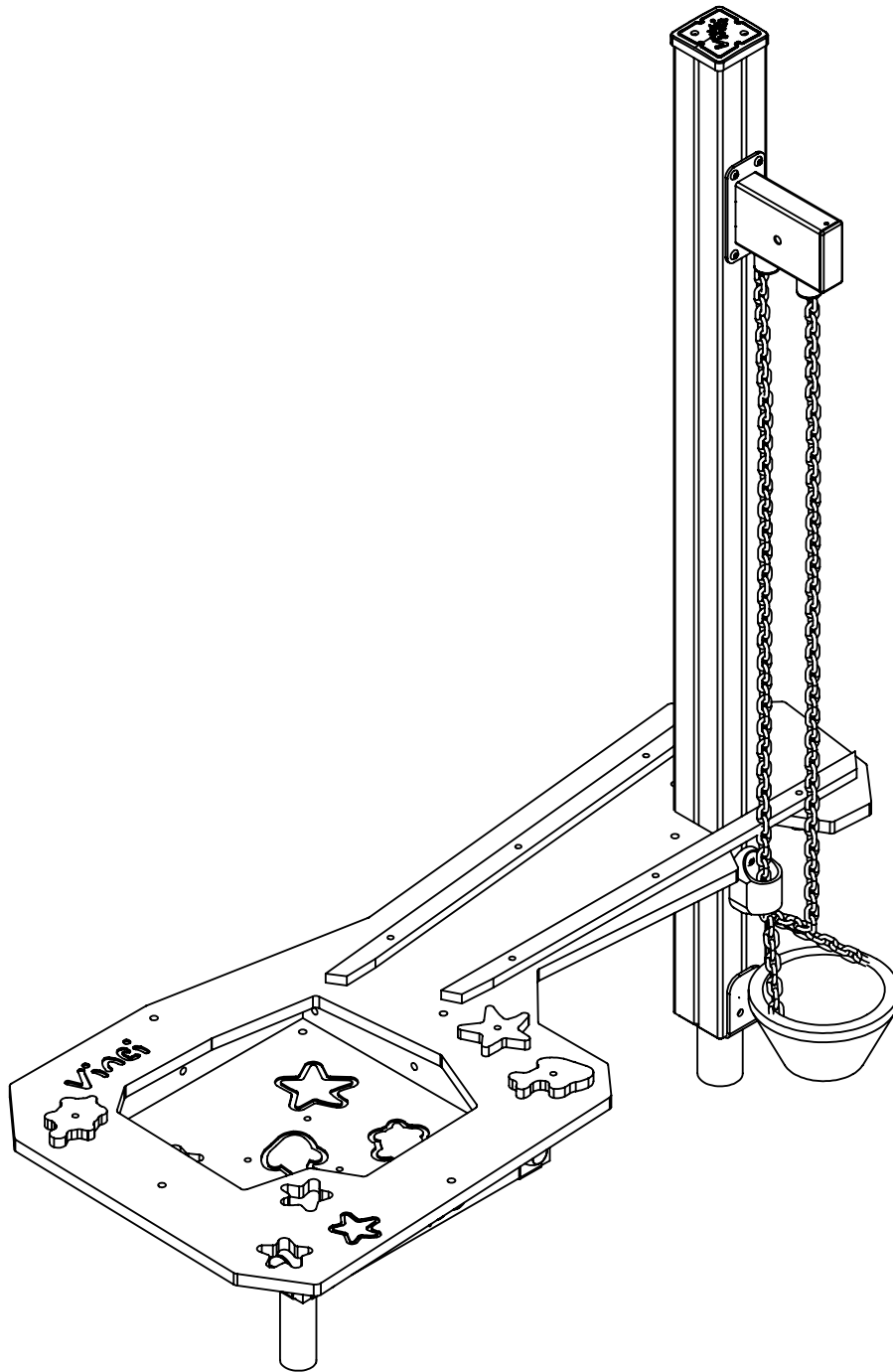
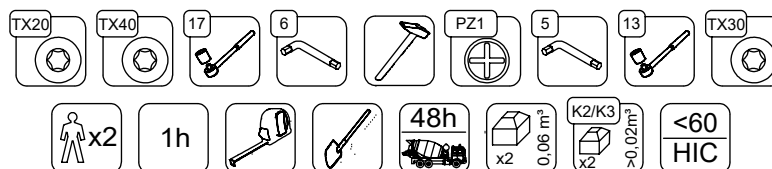


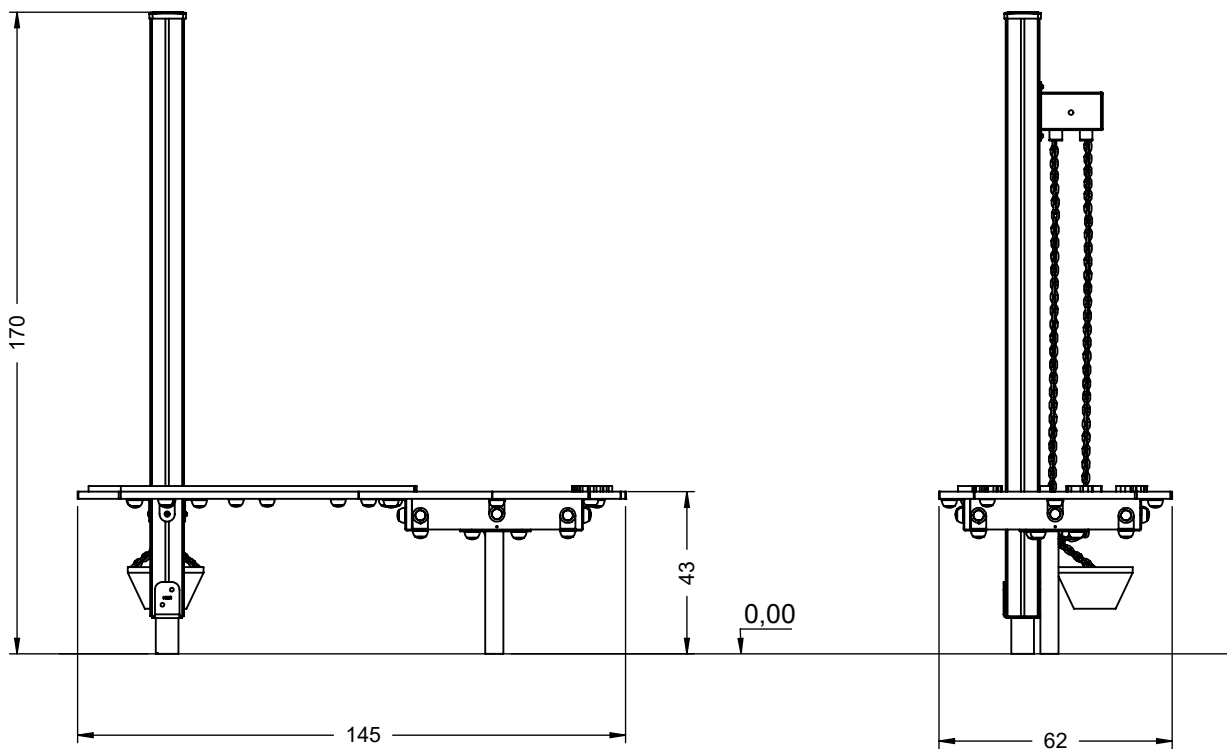
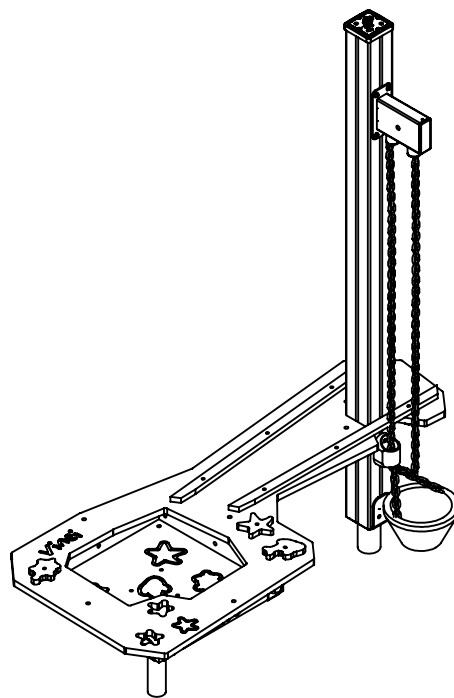
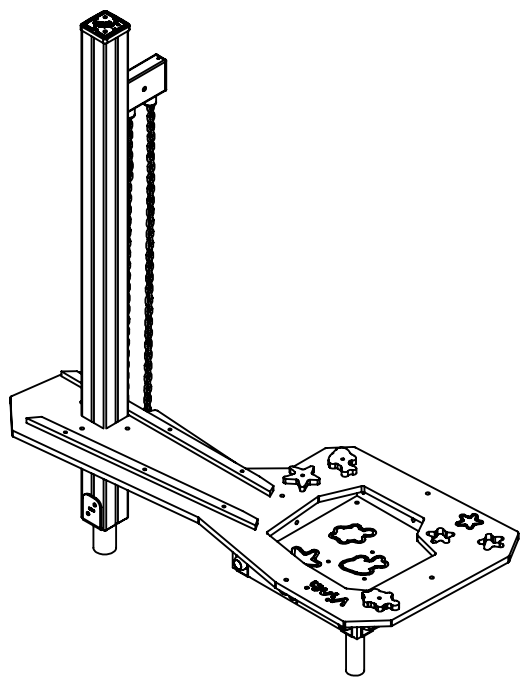
# WD1456



v014  
17.11.2021  
B. K.  
[cm]



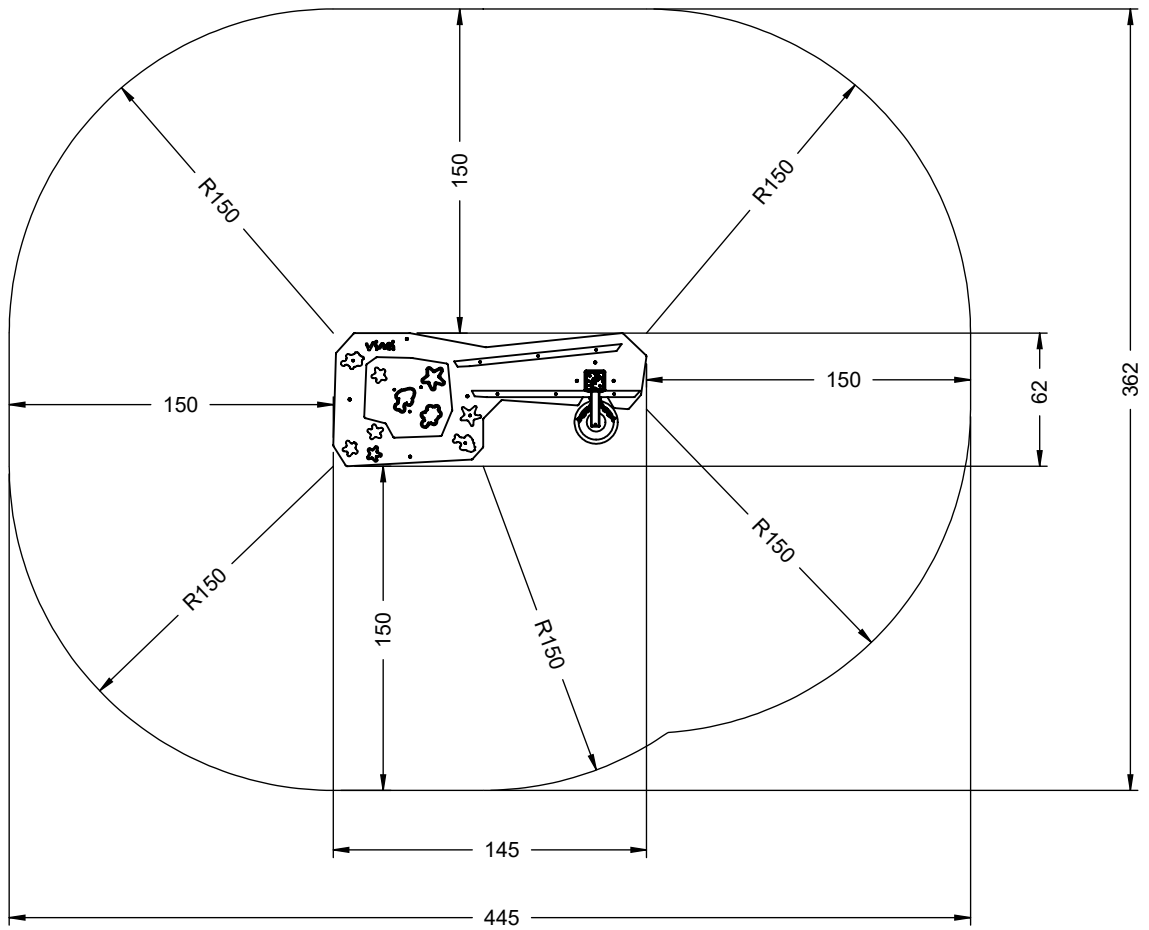
vinci  
play



[cm]



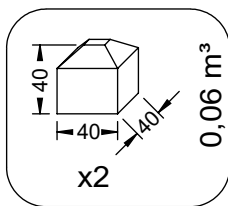
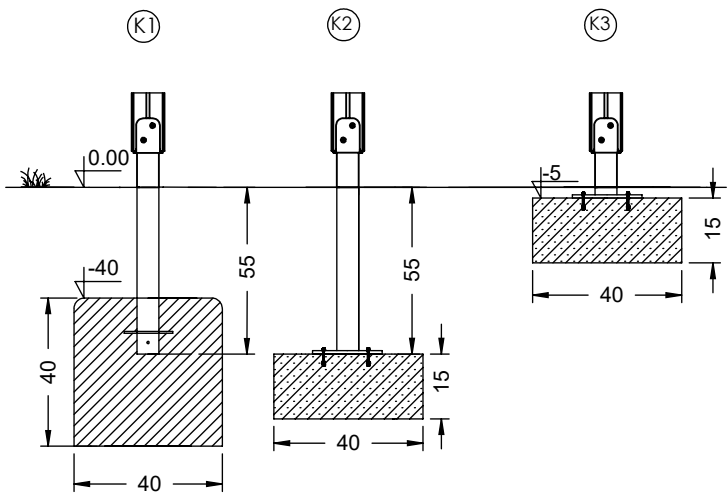
vinci  
play



[cm]



vinci  
play

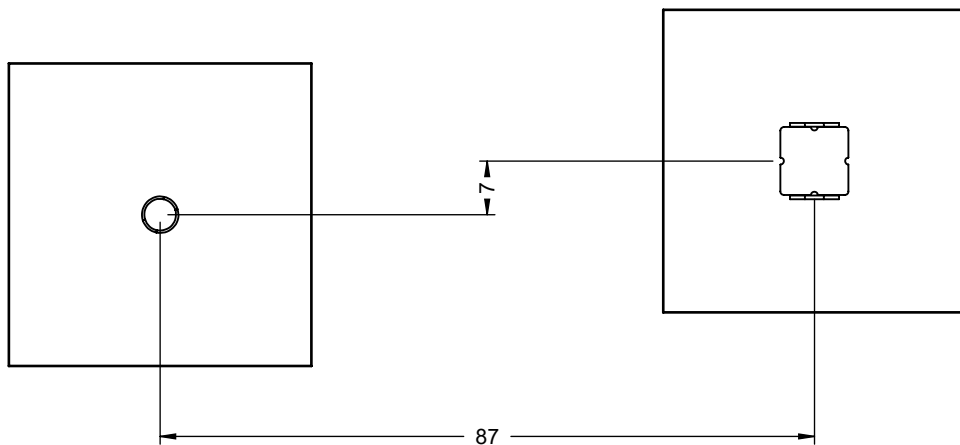
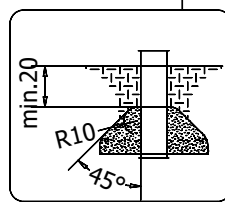
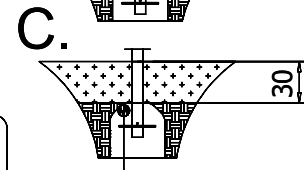
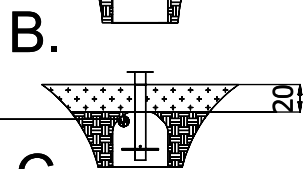
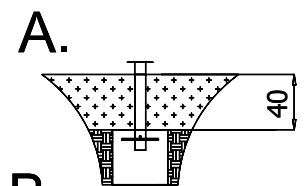
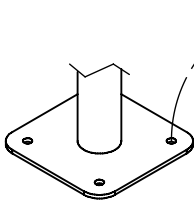


3x M8x120 (K2)  
3x M8x120 (K3)

**NOT INCLUDED**

4x M10x120 (K2)  
4x M10x120 (K3)

**NOT INCLUDED**



[cm]



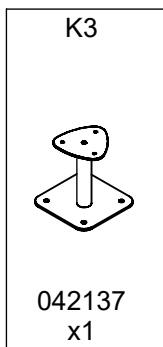
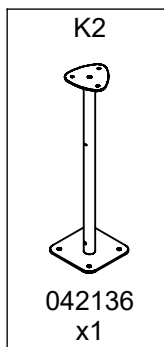
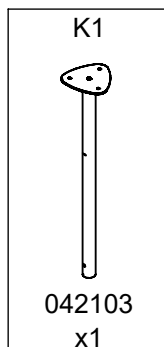
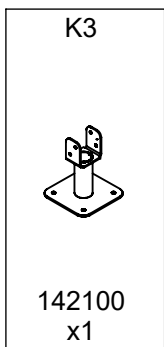
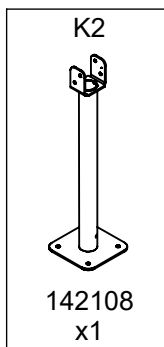
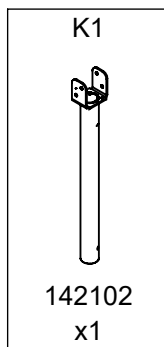
1h



vinci  
play



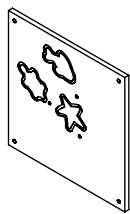
14715990  
x1



994121  
x1



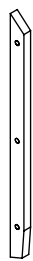
141260  
x1



141261  
x1

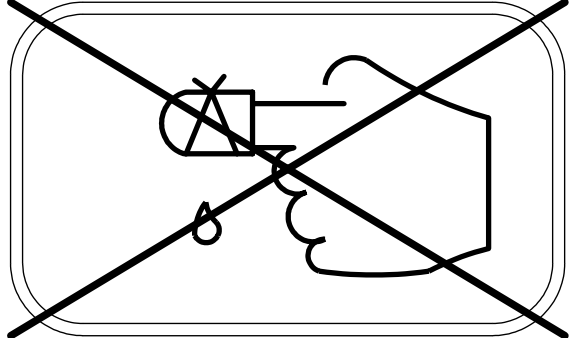
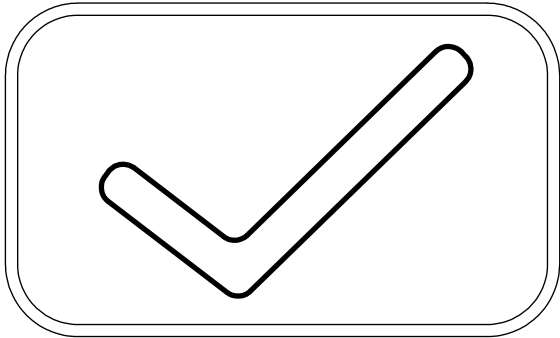
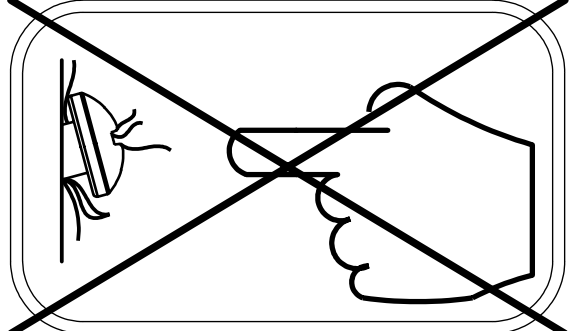
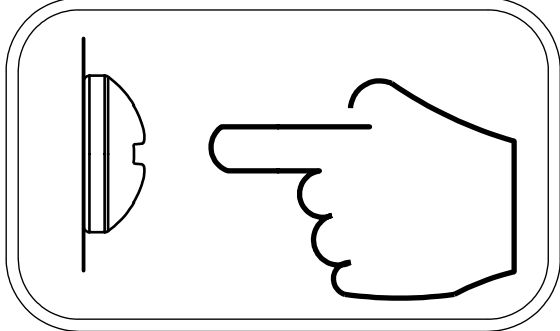
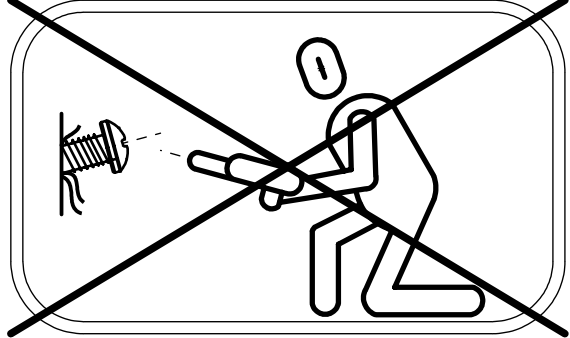
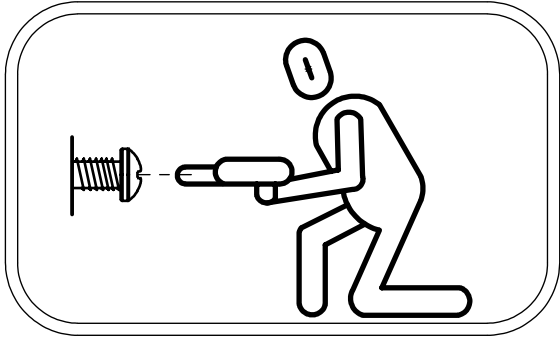


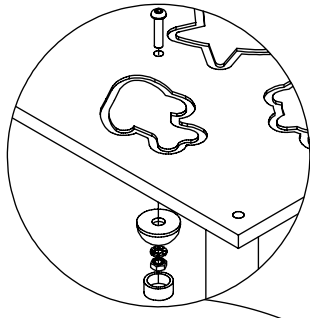
141262  
x4



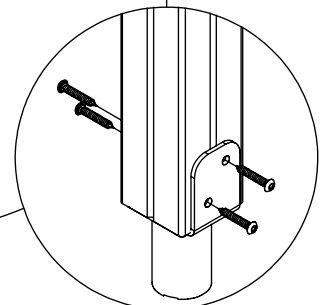
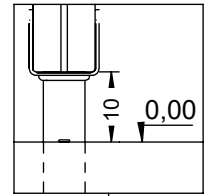
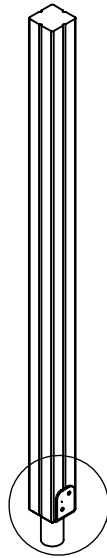
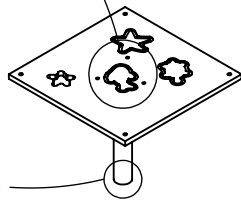
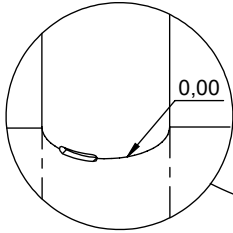
141216  
x2

		HDPE	
11x	8x50 sxi	1x	WD46
2x	6x50 sxs	1x	WD47
1x	WD1	1x	WD48
1x	V001	1x	WD49

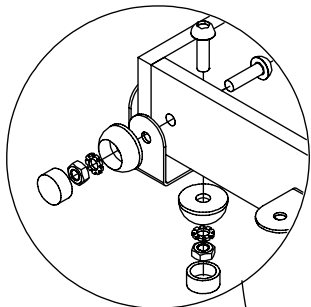




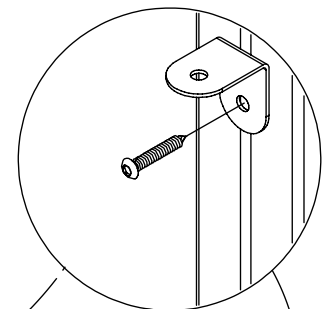
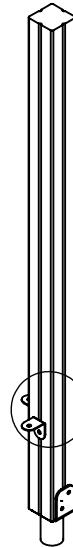
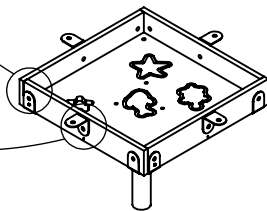
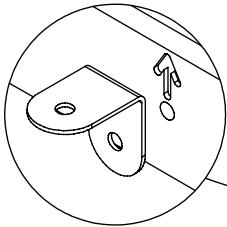
HDPE  
WD46



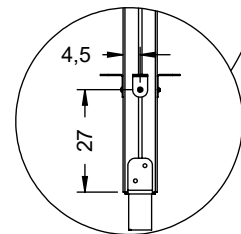
4x 8x50 sxi



HDPE  
WD47



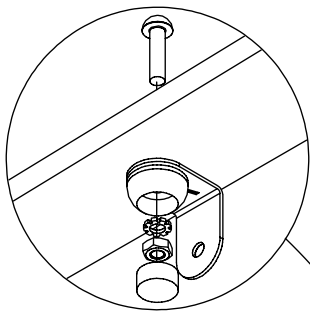
3x 8x50 sxi



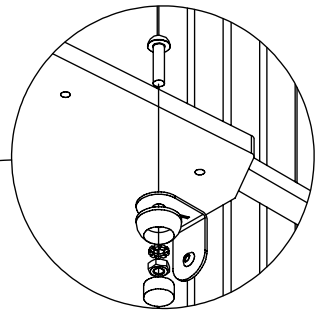
[cm]



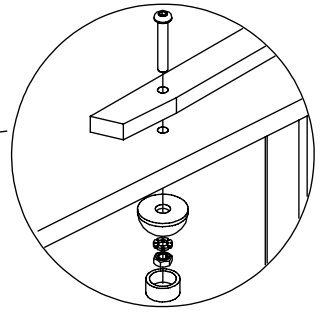
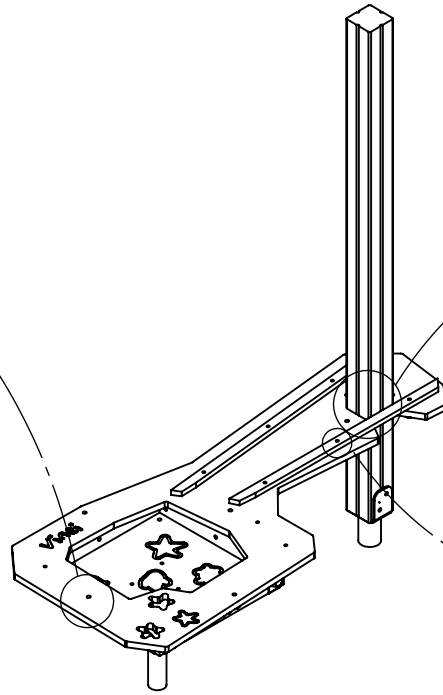
vinci  
play



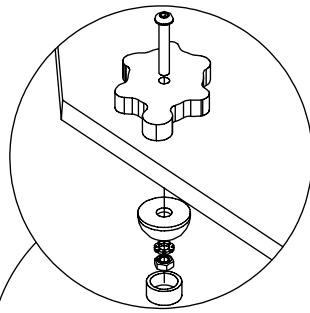
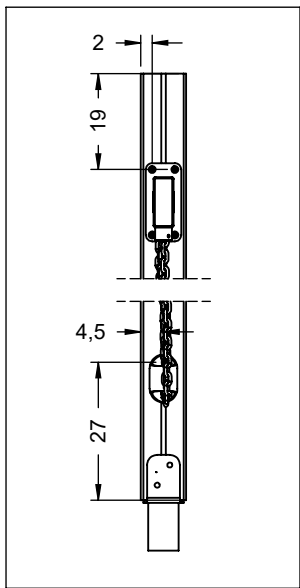
HDPE  
WD48



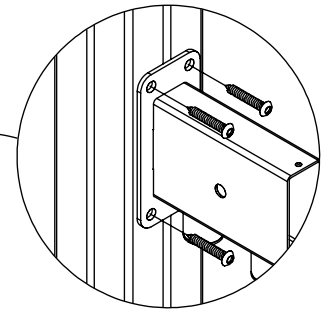
HDPE  
WD48



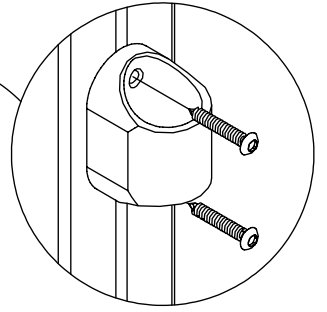
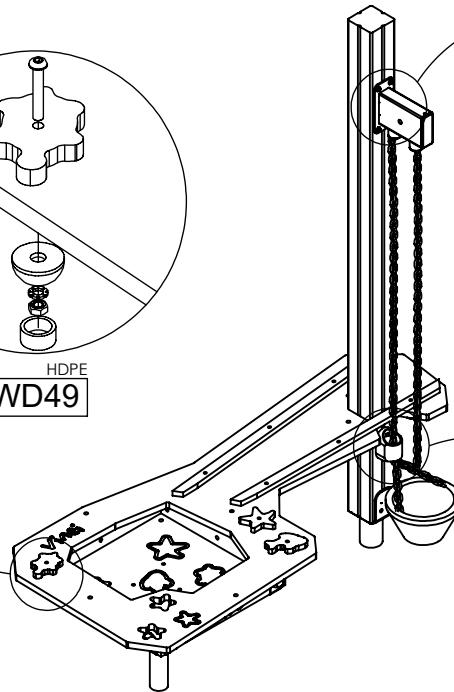
HDPE  
WD48



HDPE  
WD49

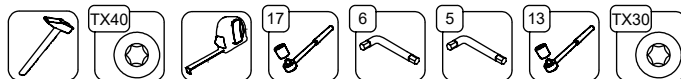


4x 8x50 sxi



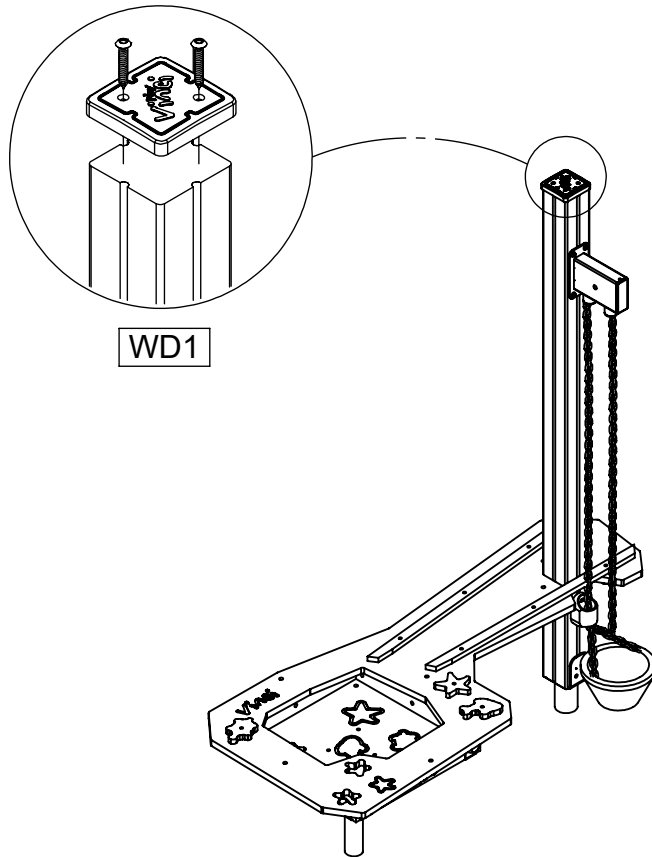
2x 6x50 sxs

[cm]

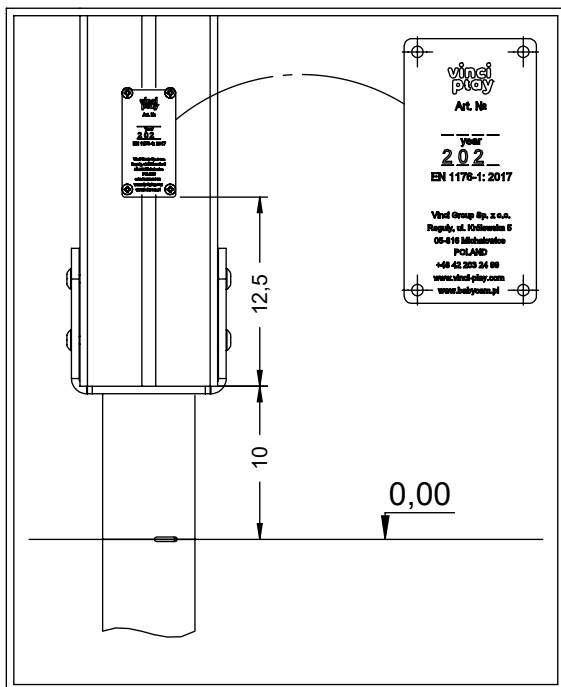


vinci  
play

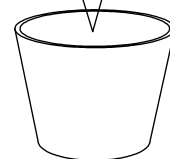
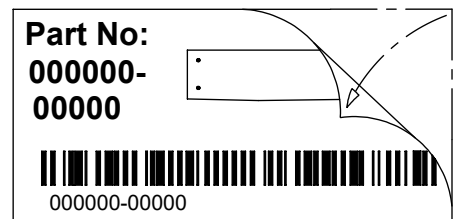




WD1



V001



[cm]



vinci  
play