



**Product technical sheet**

**STEEL+ 1707**



3 - 14 years



15 kids



31,0 m<sup>2</sup>



**Material specification**

- Powder galvanized and powder coated or stainless steel construction of 80 x 80 mm profile,
- Platforms and climbing walls made of durable anti-slip and waterproof HPL plate,
- Roofs and side panels made of durable HDPE plate, resistant to weather conditions,
- Slides made of stainless steel with durable HDPE side panels,
- Educational panels and moving elements made of HDPE plate, resistant to weather conditions,
- Maze windows made of polycarbonate, balls made of synthetic material,
- Music panels made of durable HDPE and HPL plate, resistant to weather conditions,
- Durable climbing stones made of polyester resin composite with mineral fillers,
- Steel ropes in polypropylene braid, connected with durable plastic elements, stainless steel or aluminum,
- Stainless steel bars and handrails,
- Screws covered with plastic caps and/or stainless steel screws,
- Safe end caps on top of the structure made of rubber or polypropylene,



**Facilitating disability**



easy access



integration



**Intellectual development**



manipulation



music



thinking



**Physical development**



balance



sliding



climbing





**2**  
number of towers



**1**  
number of slides



**2**  
number of roofs



**4**  
number of interactive elements



**5**  
number of activity elements

**Product technical sheet**

**STEEL+ 1707**

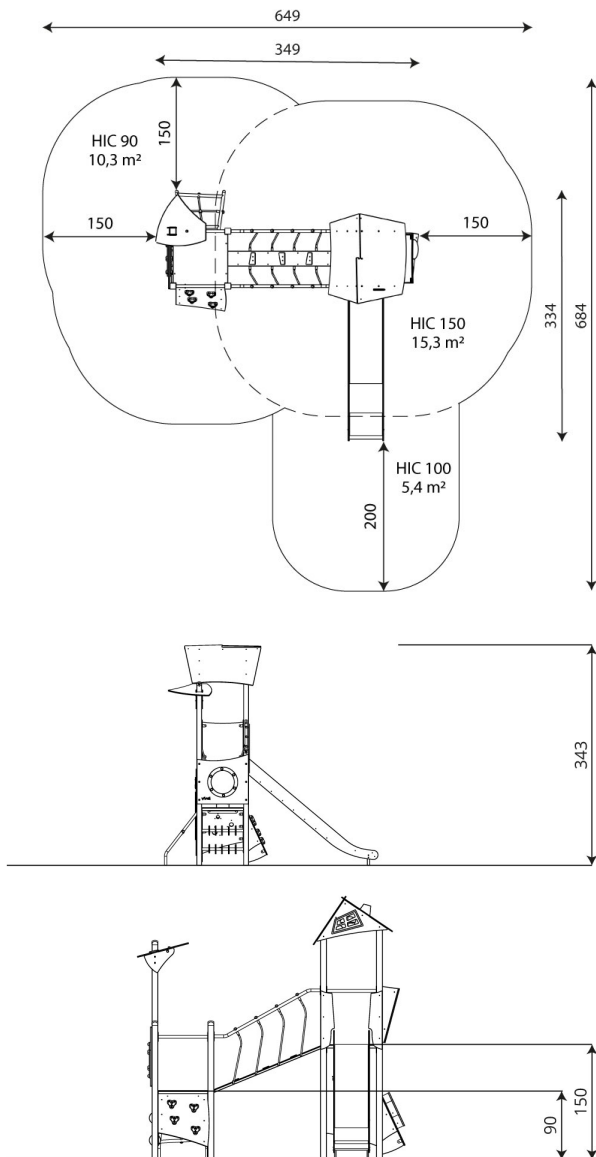
**Product data**

Length	349 cm
Width	334 cm
Total height	343 cm
Age group	3 - 14 years
Number of users	15 kids
Safety zone	31,0 m2
Free fall height	150 cm
The height of the platforms	90, 150 cm
slide platform height	150 cm
In accordance with norm EN	1176-1:2017
Weight of the heaviest part	34 kg
Dimensions of the largest part	336x8x8 cm
Availability of spare parts	YES
Installation time	5 h

Data is subject to change without prior notice.

**Additional information**

- equipment adapted for the disabled; intended for public playgrounds;
- equipment has a certificate issued by an accredited entity or a declaration of conformity;
- no sharp edges or chinks that would pose a danger of jimmie the head, fingers or any other body parts;
- anchoring on flat surface, 80/70/60 cm deep;
- slide should not be installed southwards;
- render is for reference only, the actual appearance of the equipment and its color may vary;



**Guarantee**

**30** 30 year guarantee - Structural strength of steel and stainless steel components

**15** 15 year guarantee - Structural failure of steel and stainless steel, for dynamic equipment

**10** 10 year guarantee - Structural failure of high density polyethylene and high pressure laminates components

**5** 5 year guarantee - Corrosion of stainless steel and hot dip galvanized and powder coated components; against bark beetles and rot in case of wooden structural elements

Detailed information in the guarantee card

**Vinci Group Sp. z o.o.**  
Seminaryjna 9 Street  
99-400 Łowicz

VAT: 534-250-14-46  
PHONE: +48 42 203 24 99 ext. 26  
M: +48 793 404 991



biuro@vinci-play.com  
info@vinci-play.com  
[www.vinci-play.com](http://www.vinci-play.com)

## Surfaces according to EN 1176-1:2017

	Description (mm)	Layer thickness (cm)	Maximum fall heights (cm)
Turf/ top layer of soil (A,B,C)	-	-	≤100
bark (A,C)	Particle size from 20 to 80	30	≤200
		40	≤300
woodchips (A,C)	Particle size from 5 to 30	30	≤200
		40	≤300
sand or gravel (A,C)	Particle size from 0,25 to 8	30	≤200
		40	≤300
synthetic attested (A,B,C)	Tested according to EN 1177		150

## Product technical sheet

# STEEL+ 1707

### Amount of safe surface corresponding with free fall height:

HIC 90 10,3 m<sup>2</sup>

HIC 100 5,4 m<sup>2</sup>

HIC 150 15,3 m<sup>2</sup>

Data is subject to change without prior notice.

