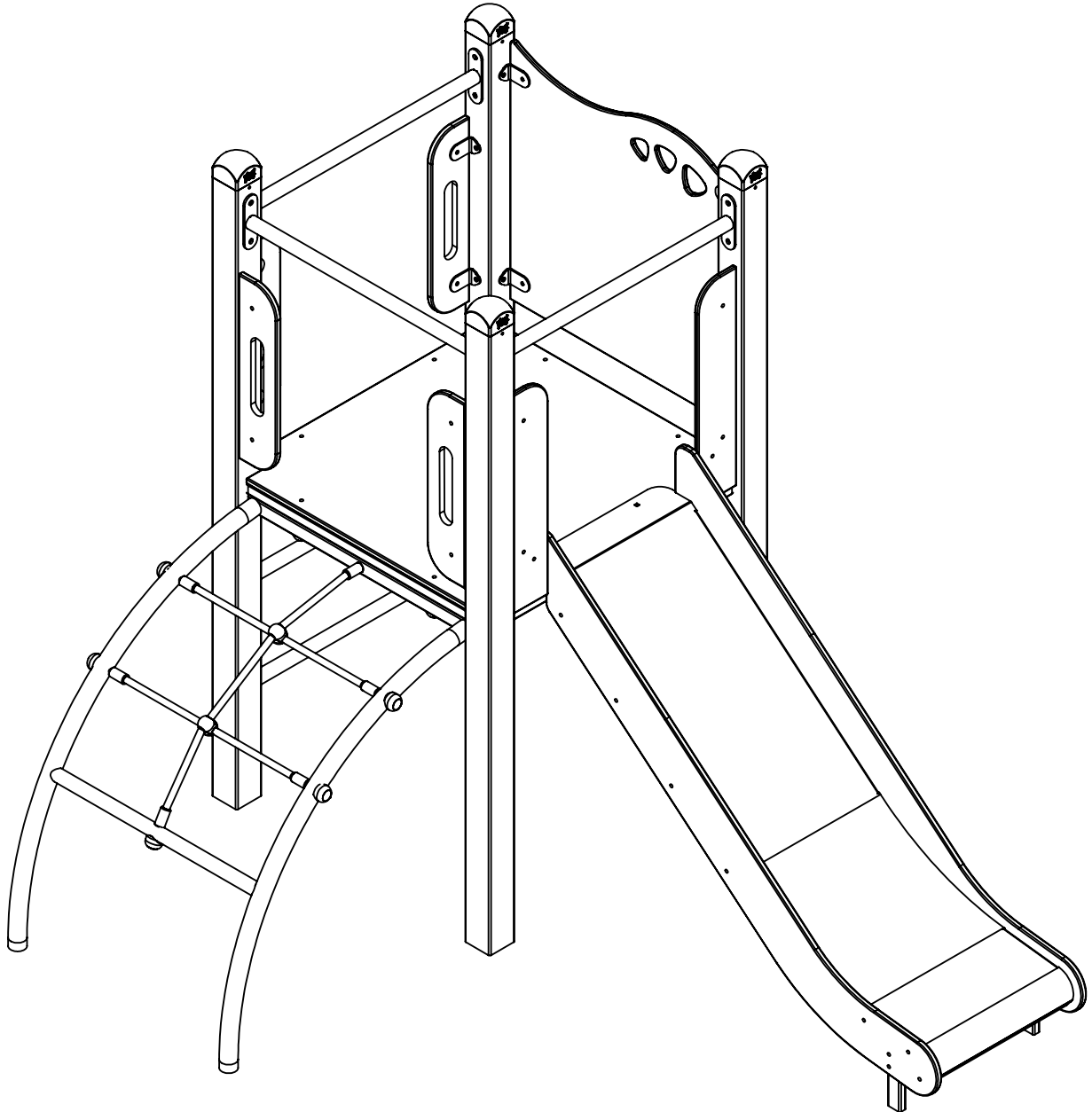
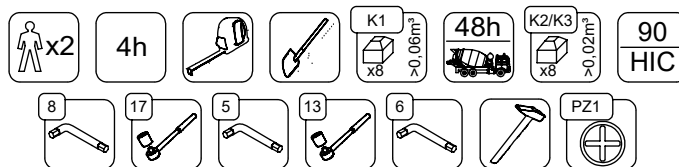


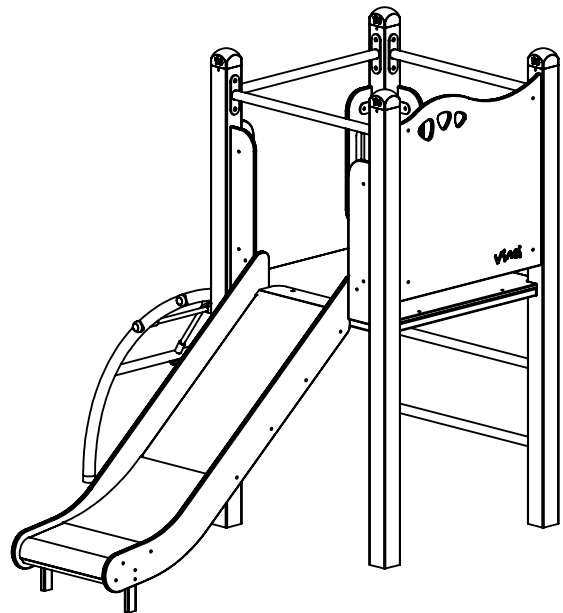
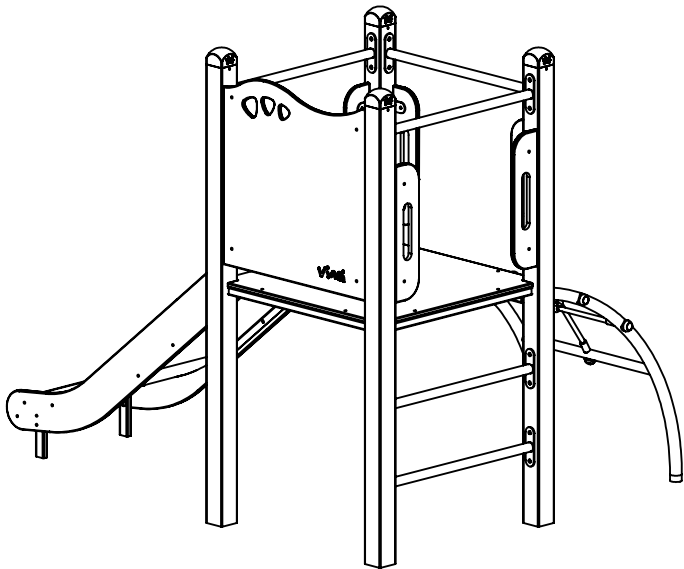
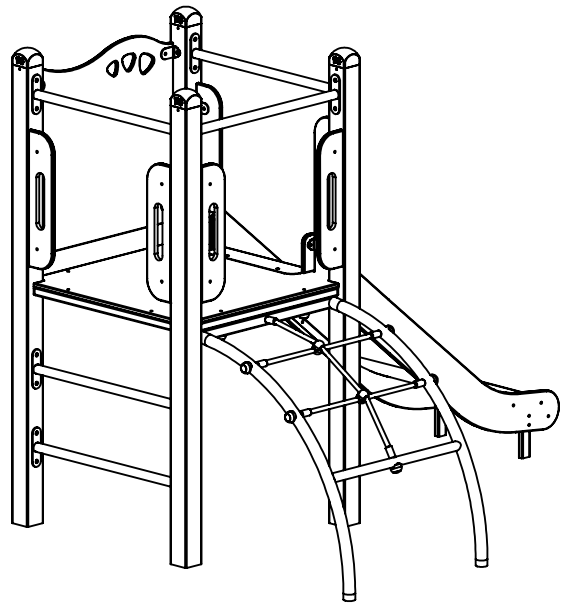
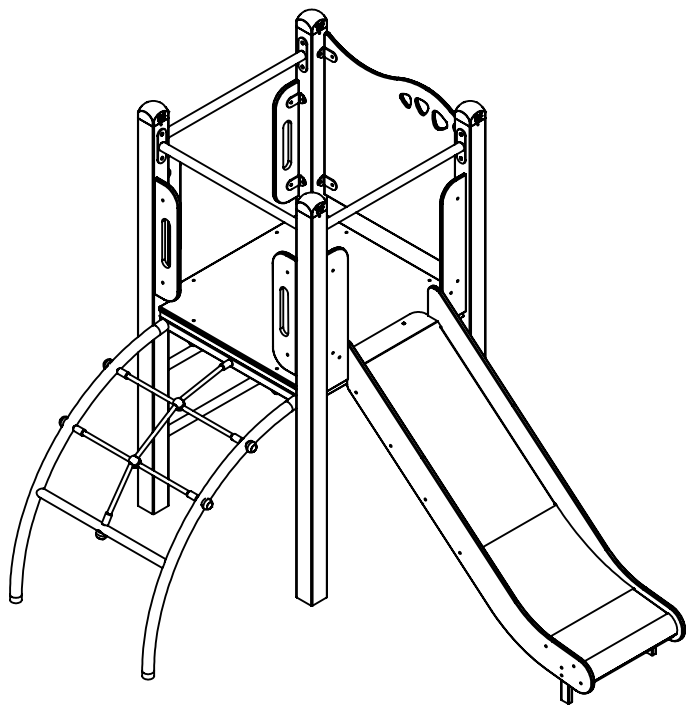
# 0200



v013  
12.04.2021  
A. H.  
[cm]

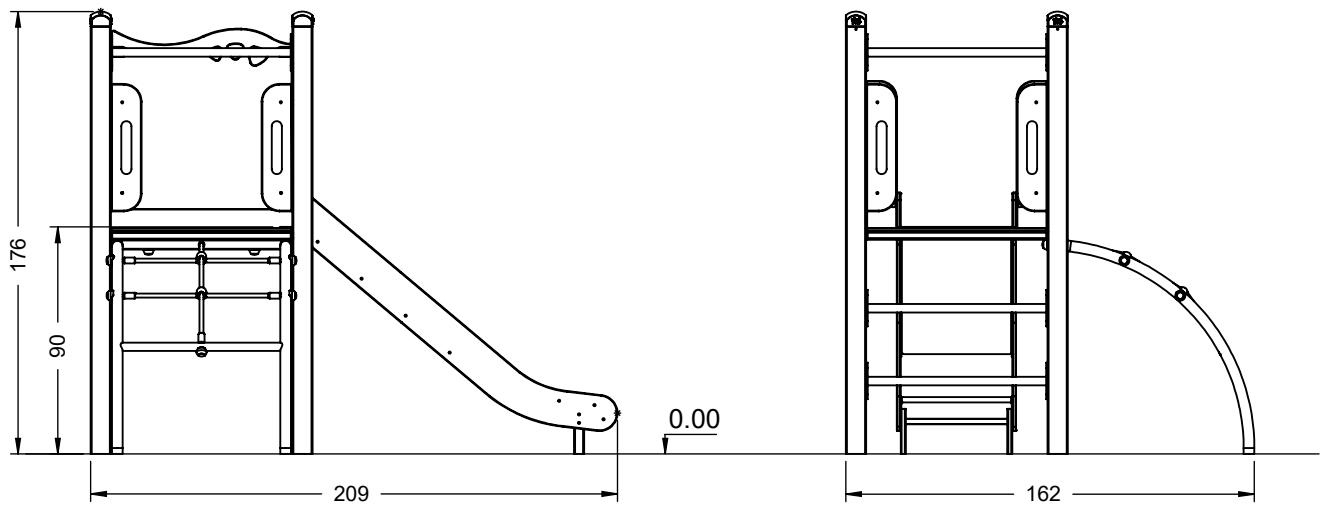


vinci  
play



[cm]

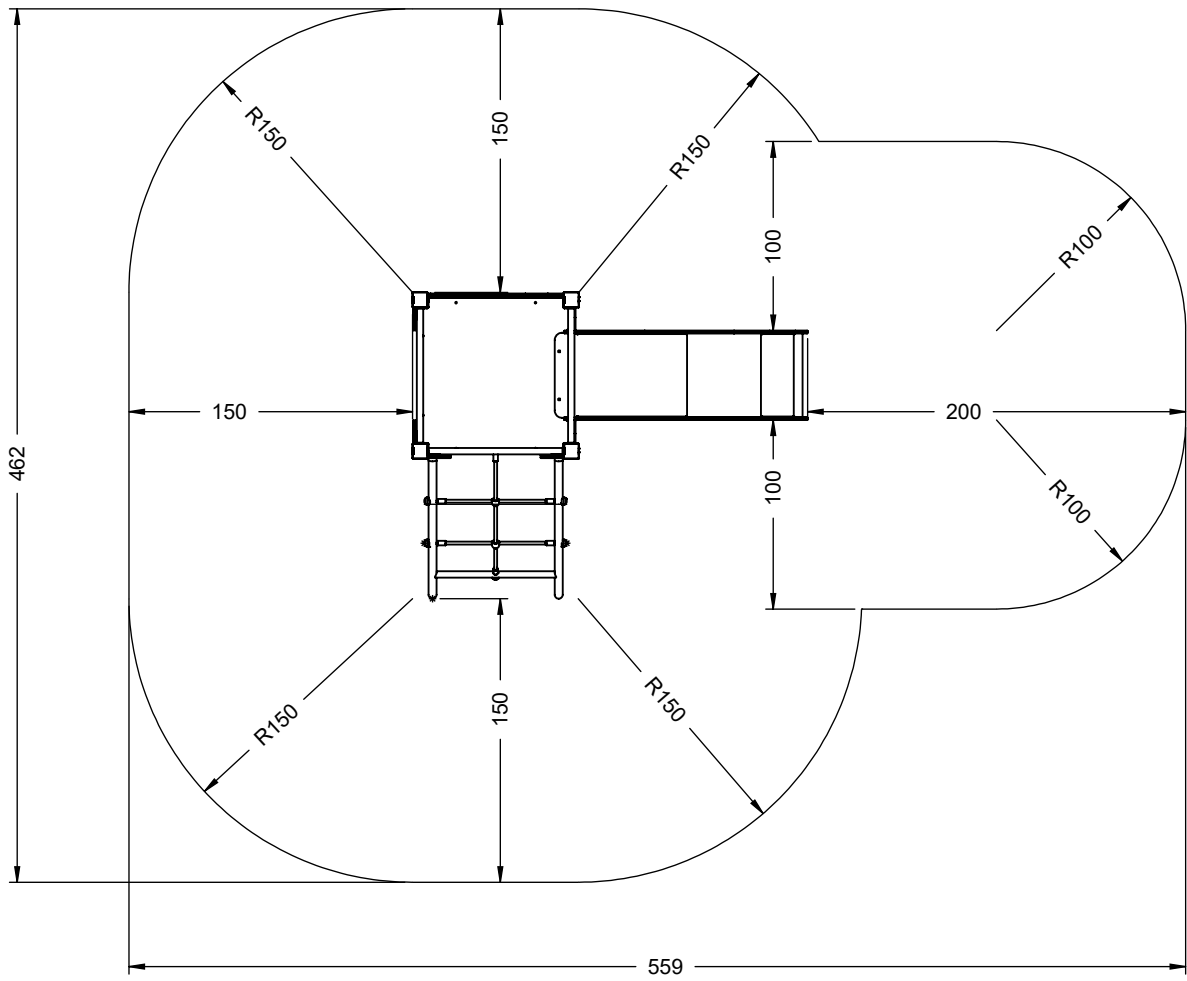
vinci  
play



[cm]



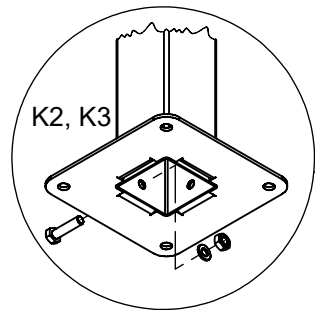
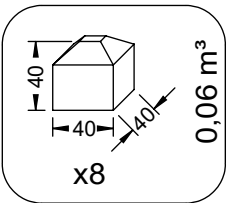
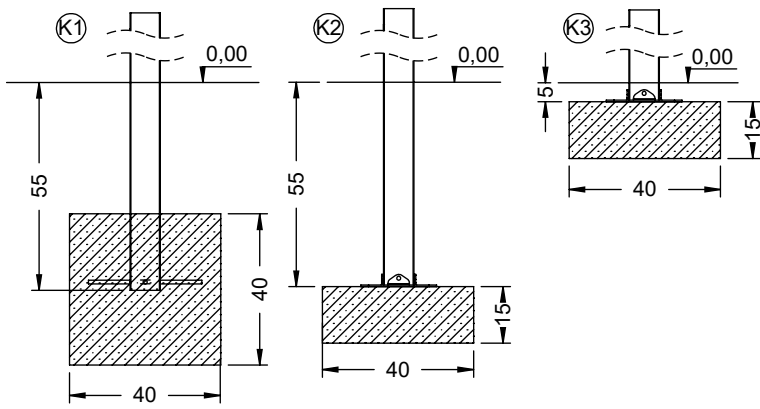
vinci  
play



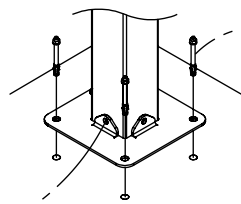
[cm]



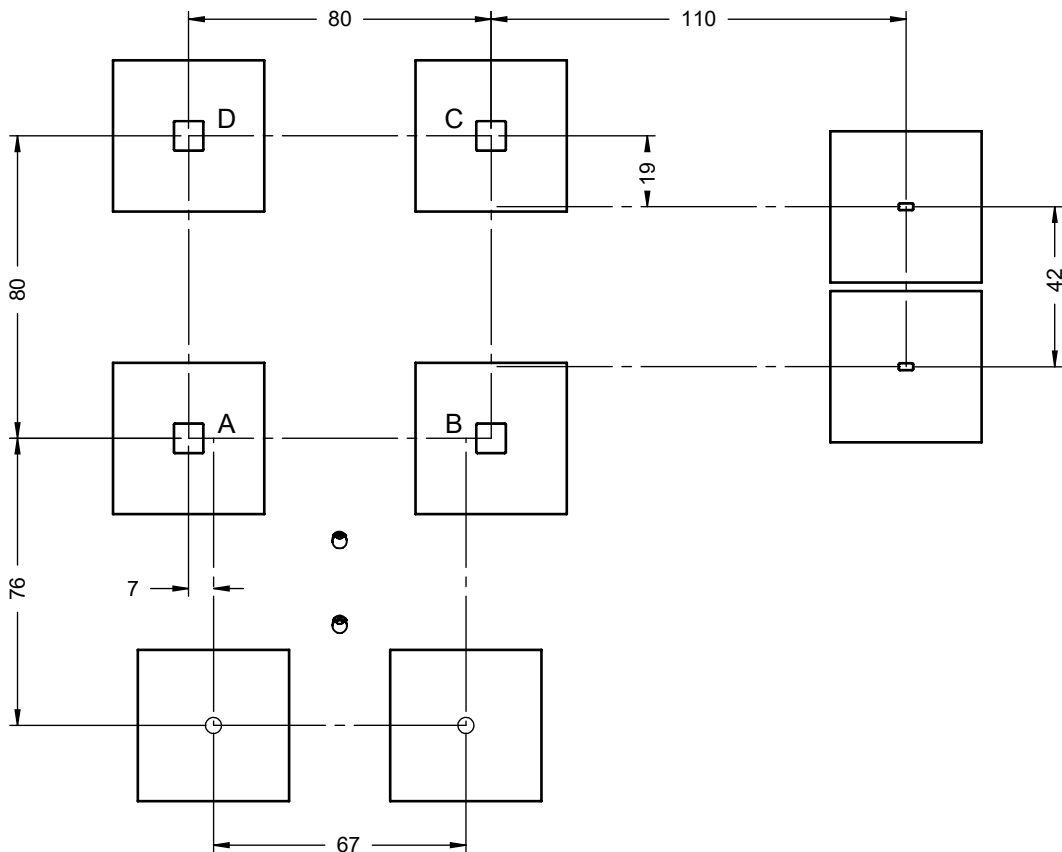
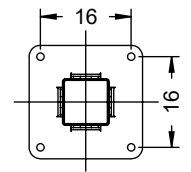
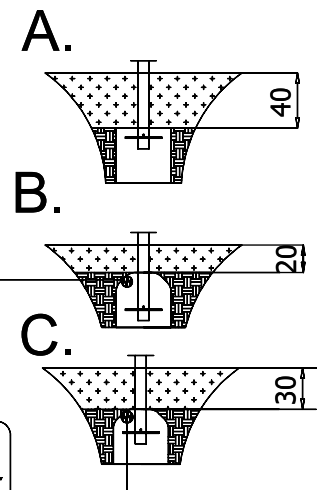
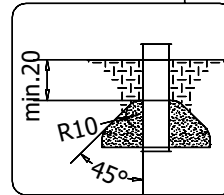
vinci  
play



E37



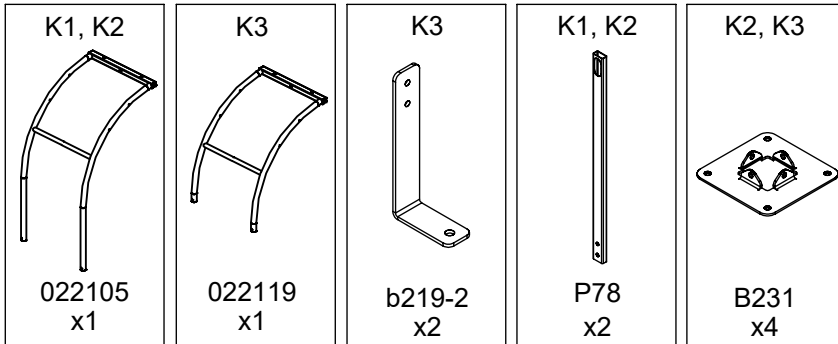
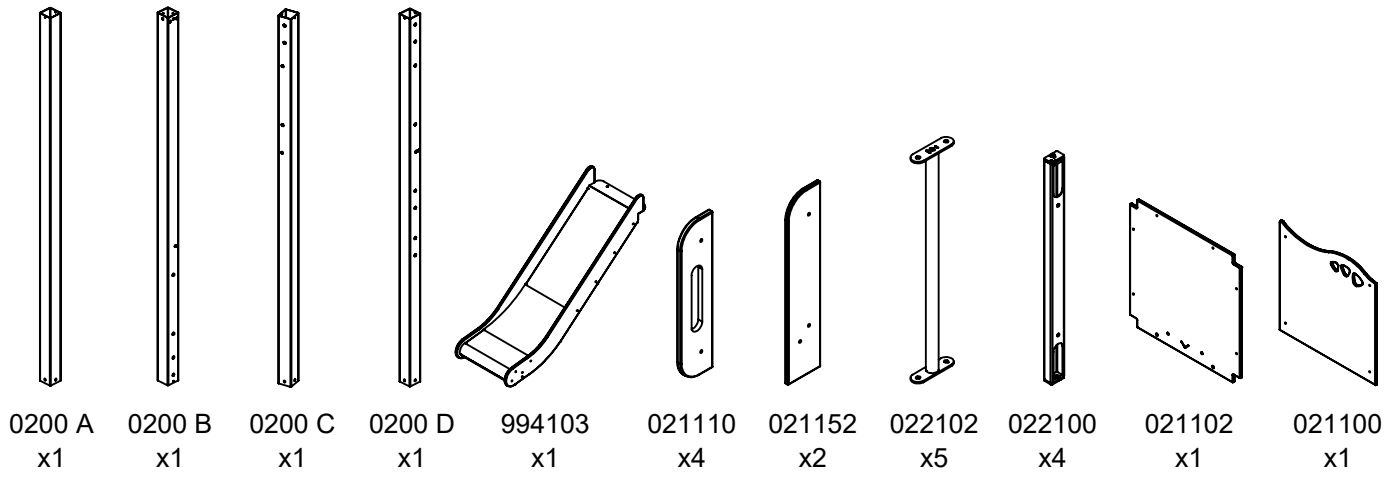
16x M10x120 (K2)	4x M8x120 (K2)
18x M10x120 (K3)	2x M8x120 (K3)
<b>NOT INCLUDED</b>	<b>NOT INCLUDED</b>



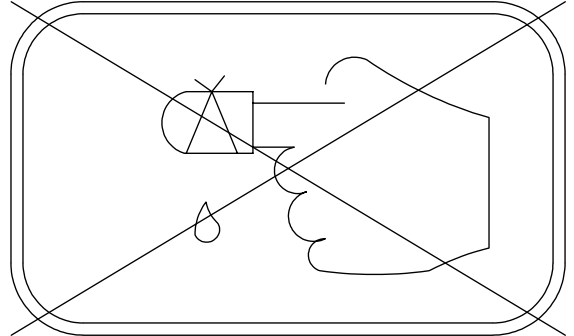
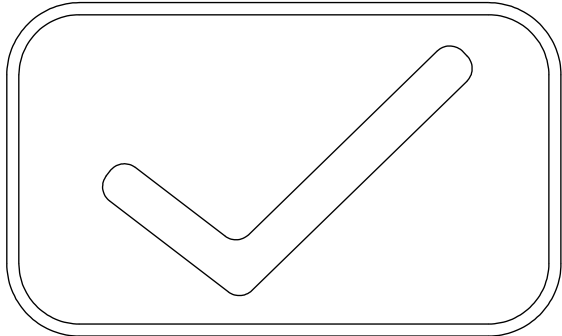
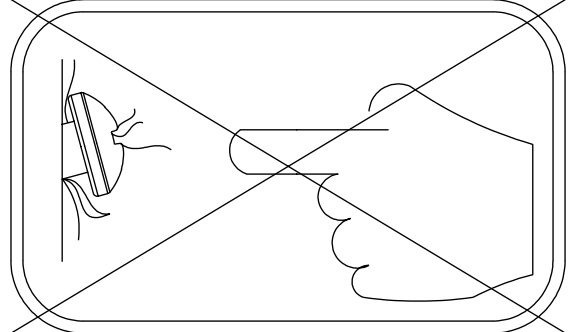
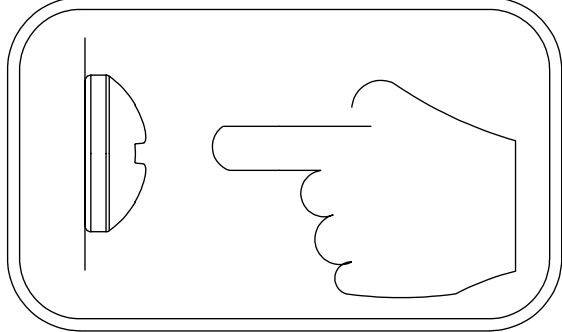
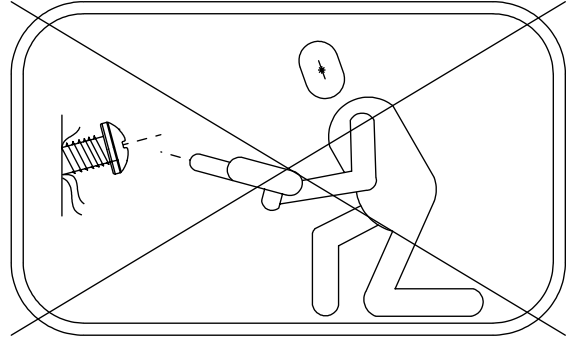
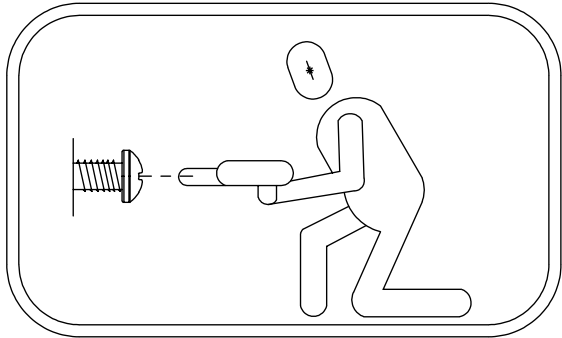
[cm]

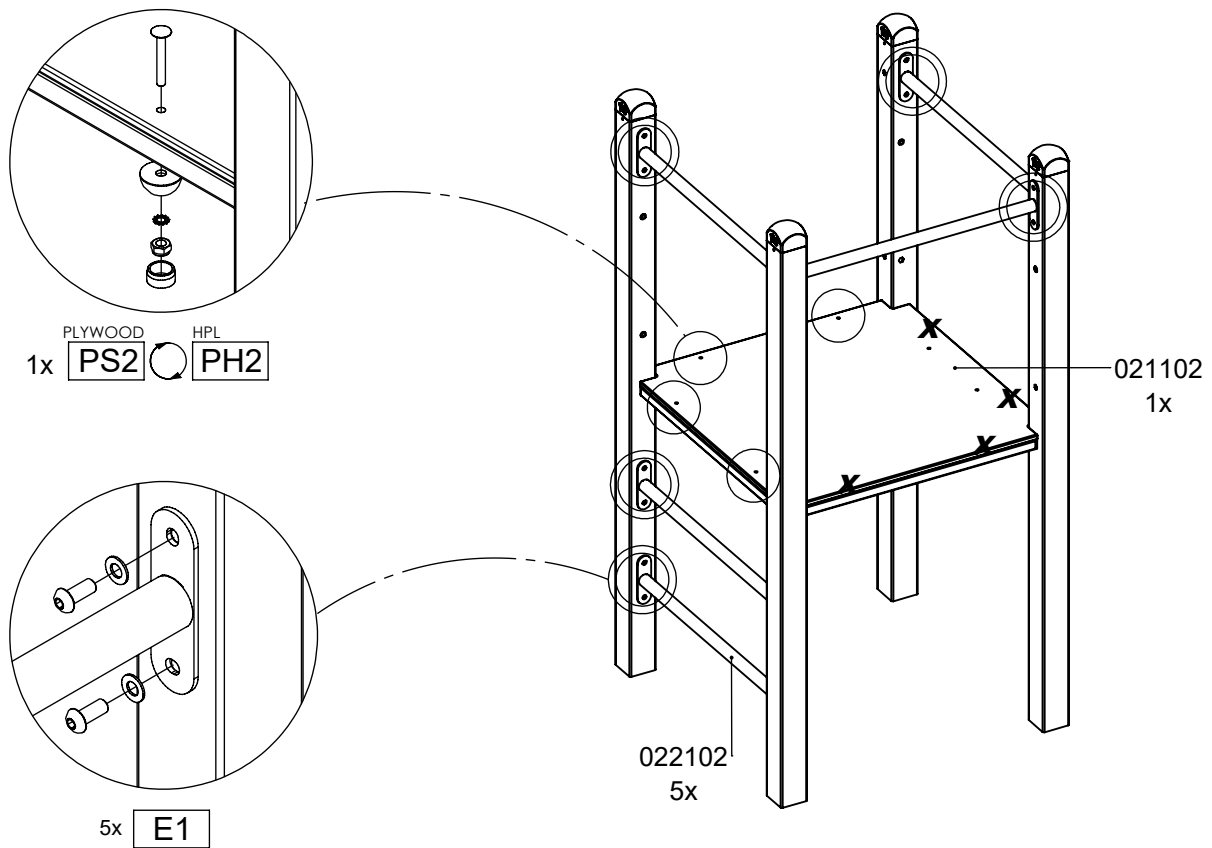
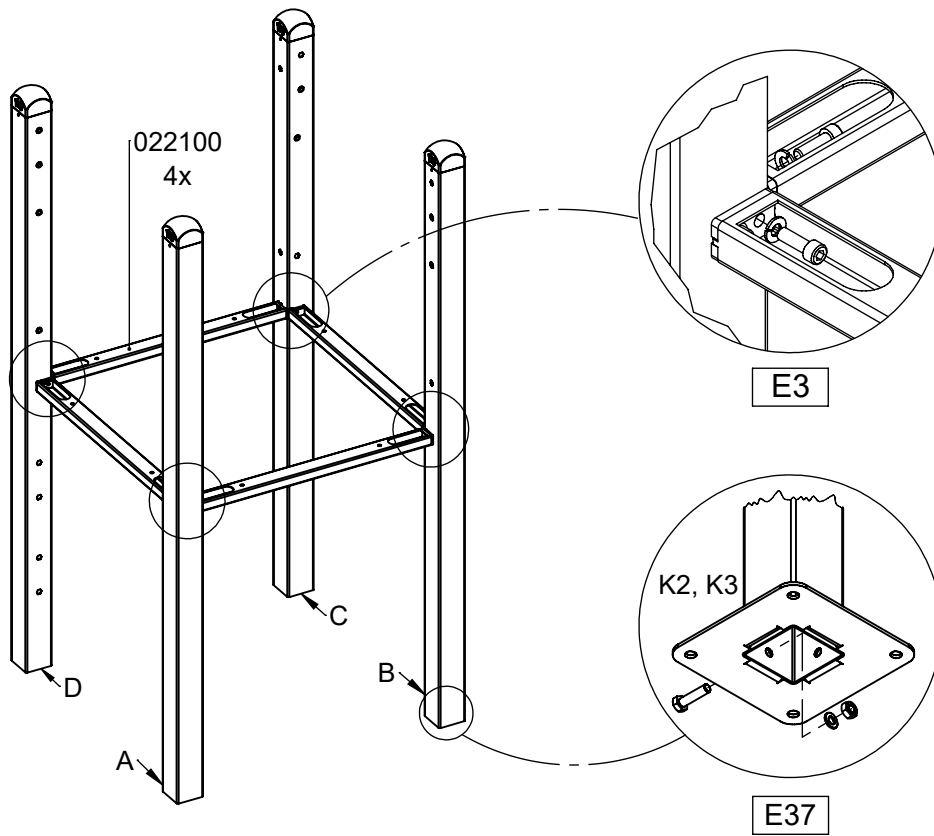
	4h			K1 x8 >0,06m³	K2/K3 x8 >0,02m³	48h 
--	----	--	--	---------------------	------------------------	---------

vinci play



ST/INOX		PLYWOOD / HDPE		HPL	
5x	E1	1x	PS2	1x	PH2
	E37 (K2, K3)	1x	E4	1x	E5
1x	E3	1x	E8 (S1)	1x	E9 (S1)
1x	E34 (K1, K3)	1x	E152 (S6)	1x	E153 (S6)
1x	E35 (K2)	2x	CE1	2x	CL1
1x	E88 (K2, K3)	2x	CE4	2x	CL4
1x	E238	1x	CE31	1x	CL34
1x	V001				



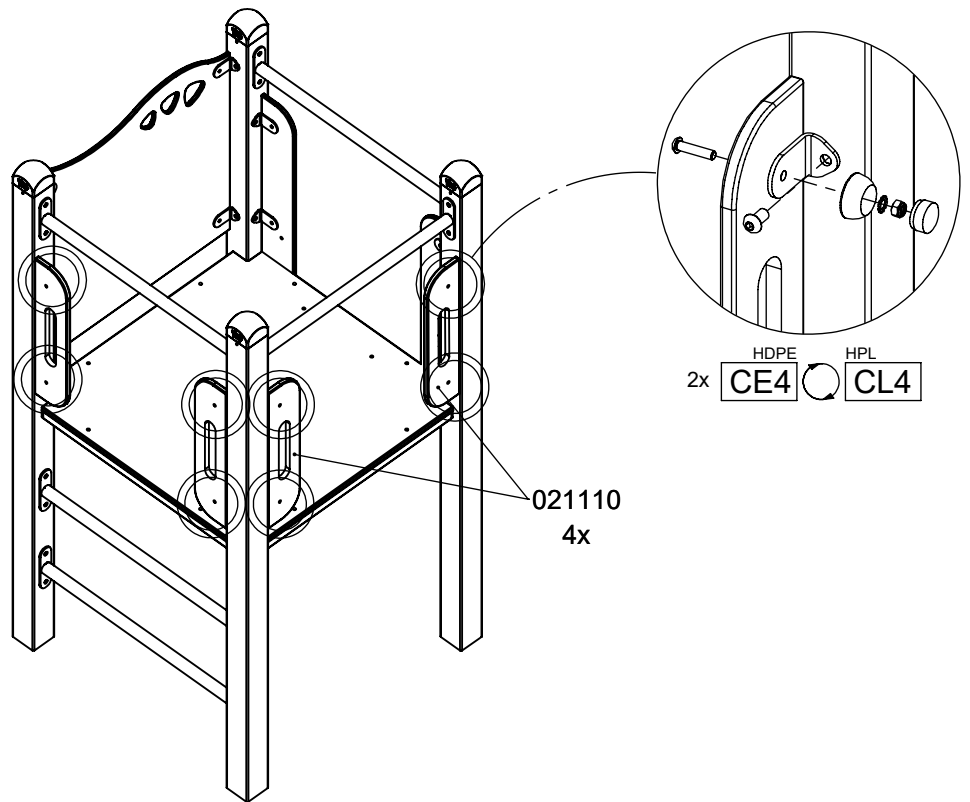
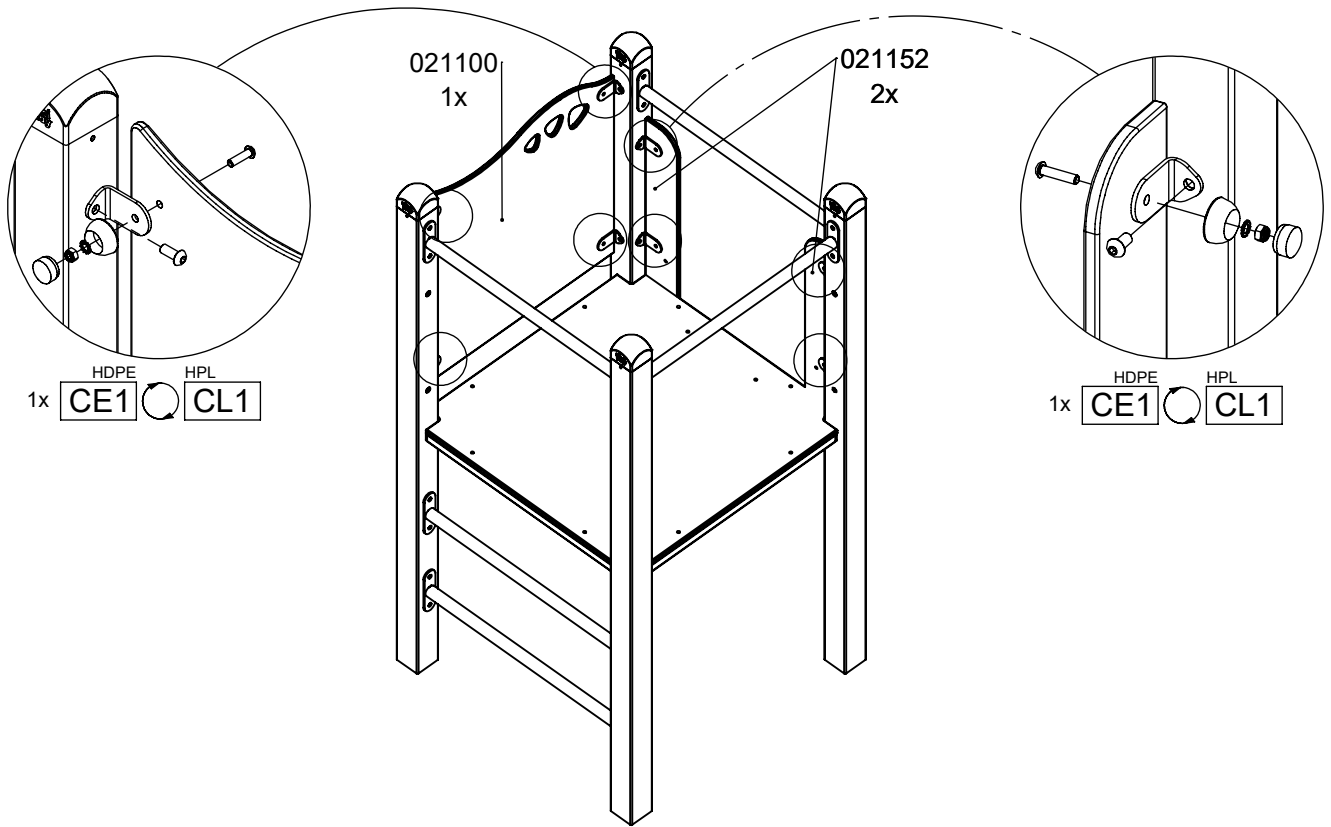


[cm]

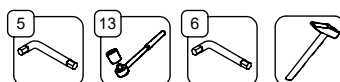


vinci  
play

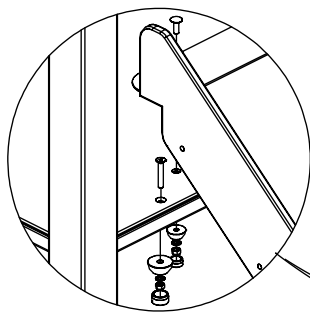




[cm]

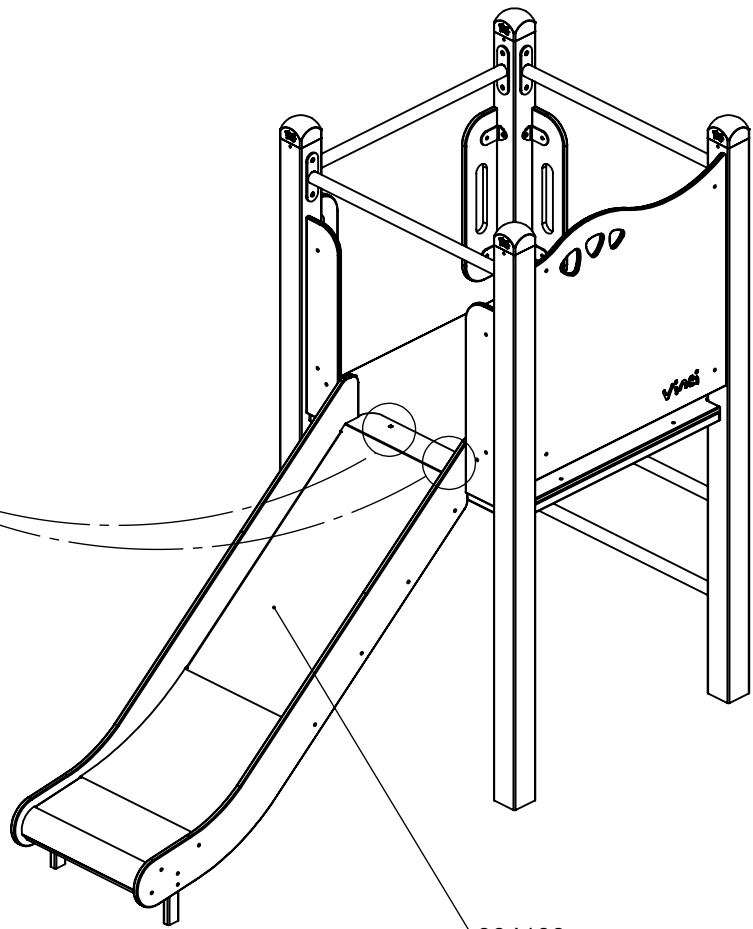


vinci  
play

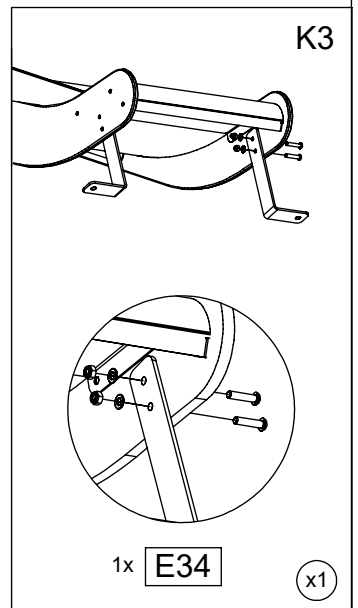
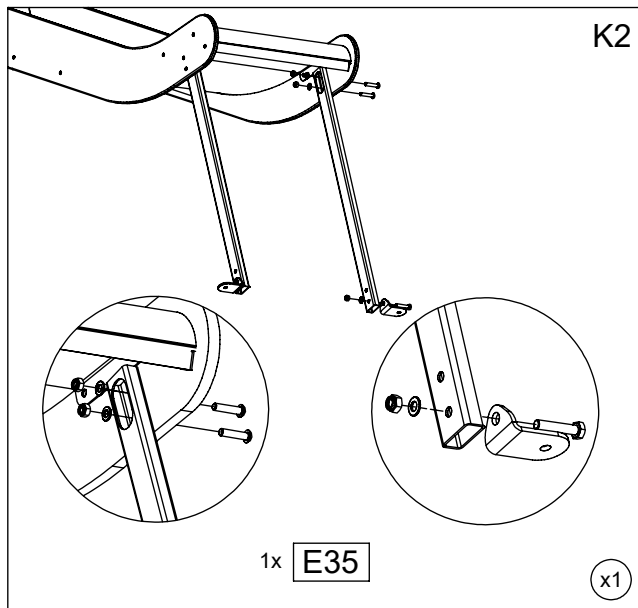
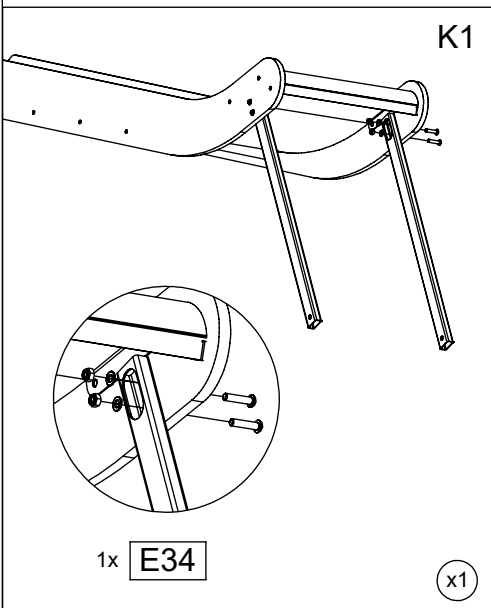


PLYWOOD HPL  
1x **E8** **S1** **E9**

PLYWOOD HPL  
1x **E152** **S6** **E153**



994103  
1x

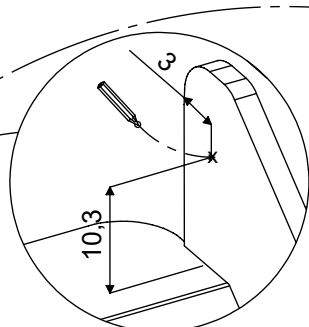
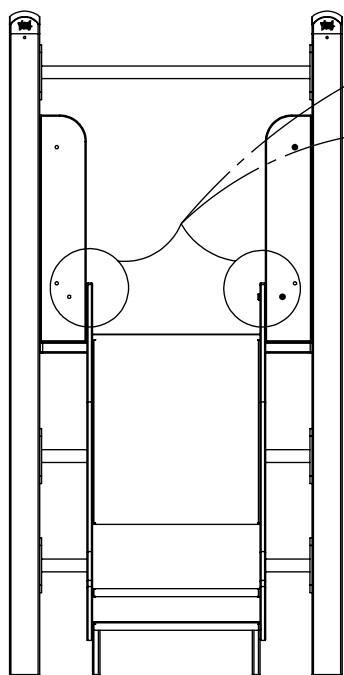


[cm]

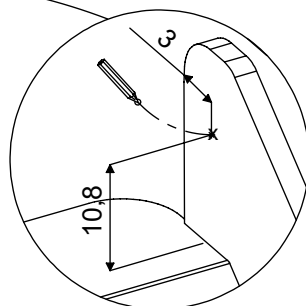


vinci  
play

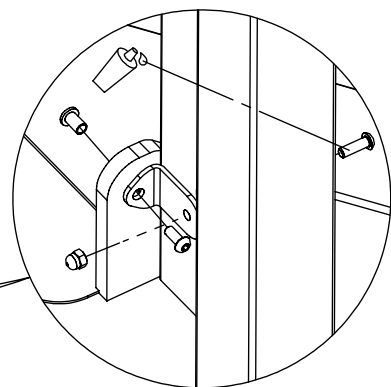
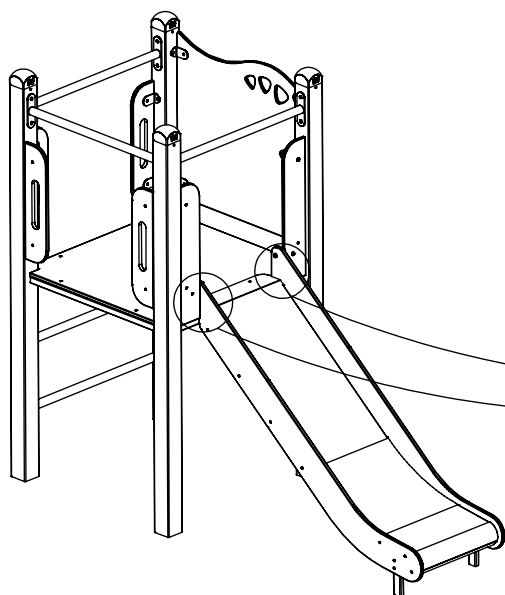
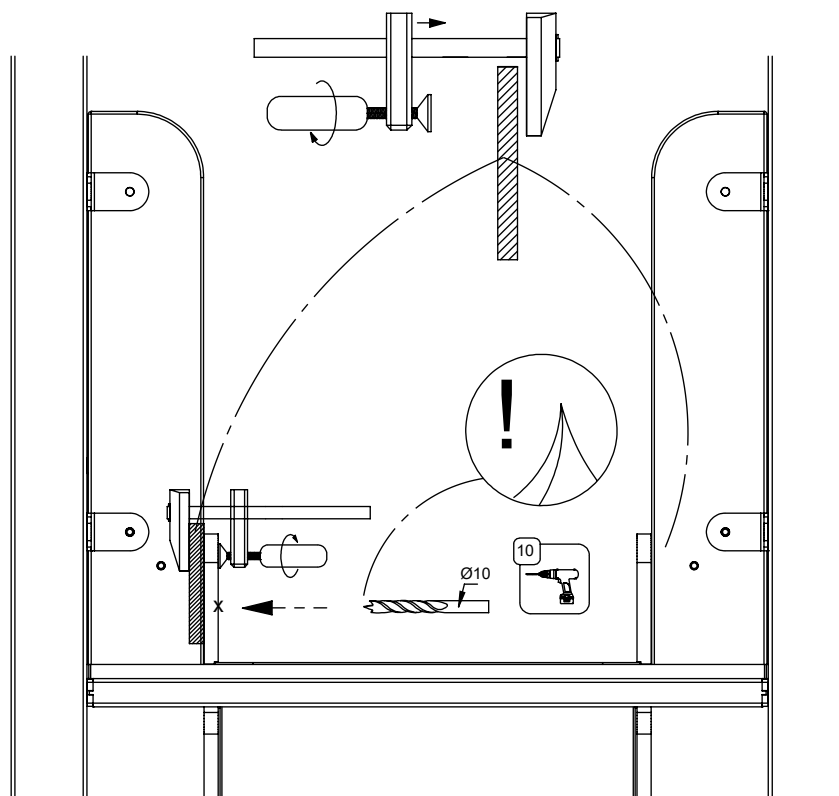
1x



PLYWOOD



HPL

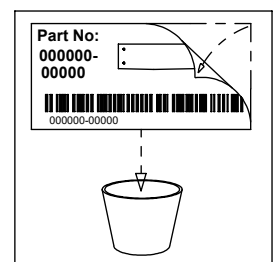
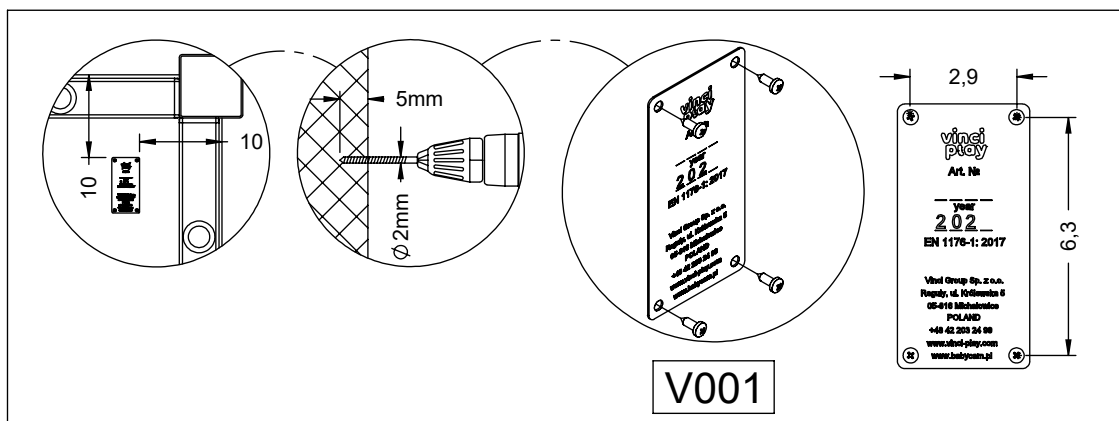
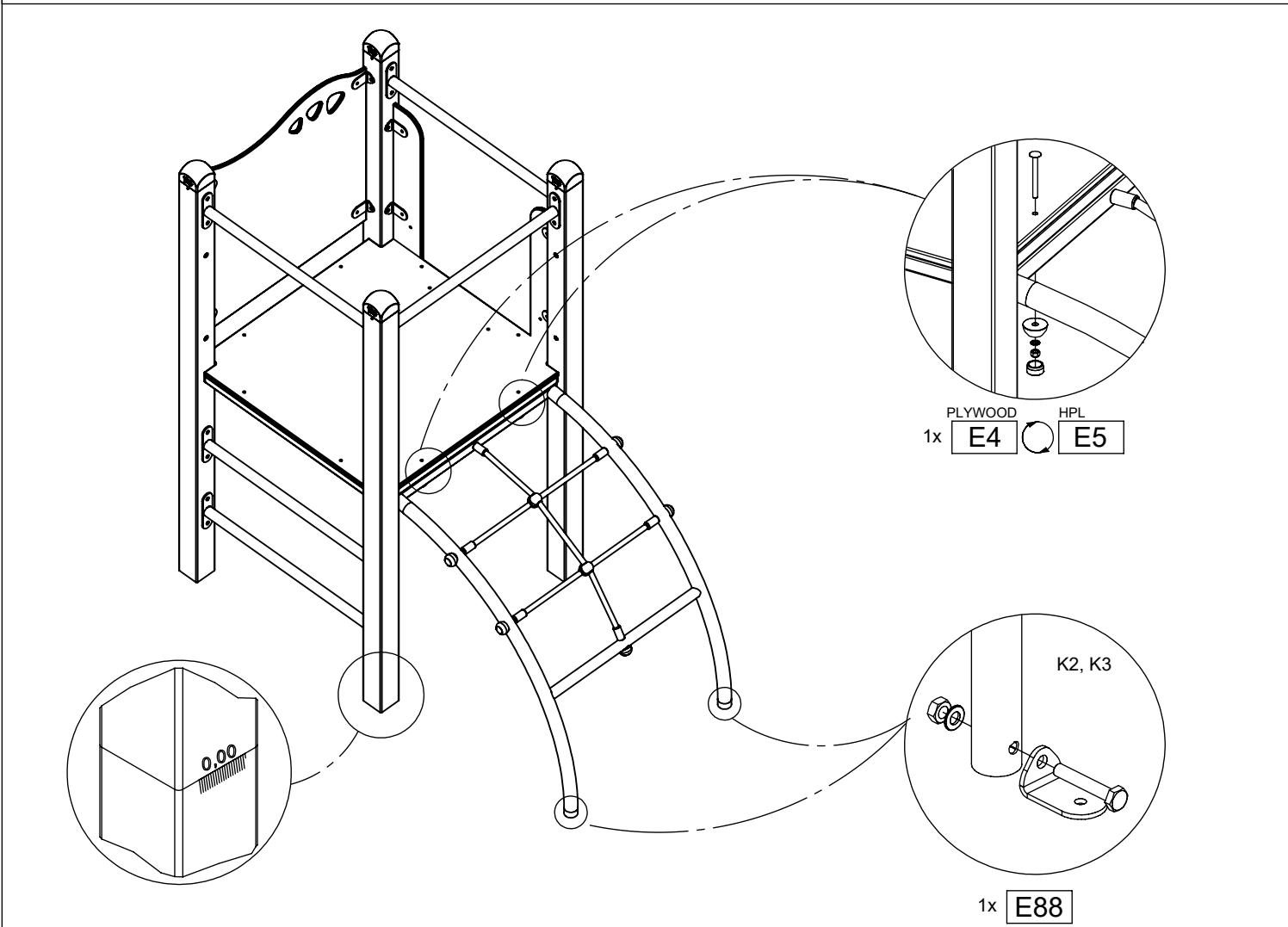
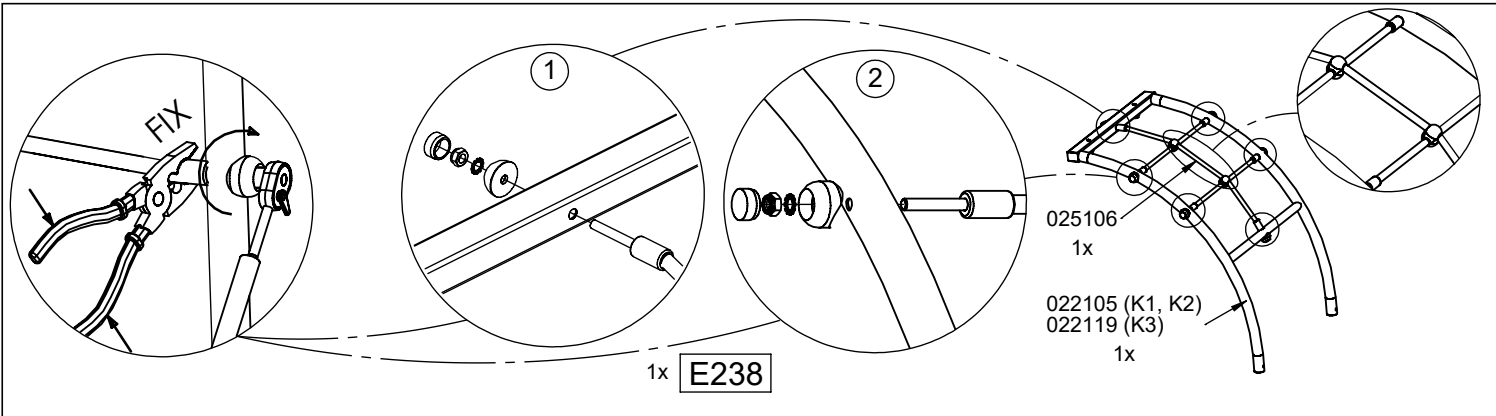


1x HDPE CE31 1x HPL CL31



[cm]

vinci play



[cm]



vinci  
play