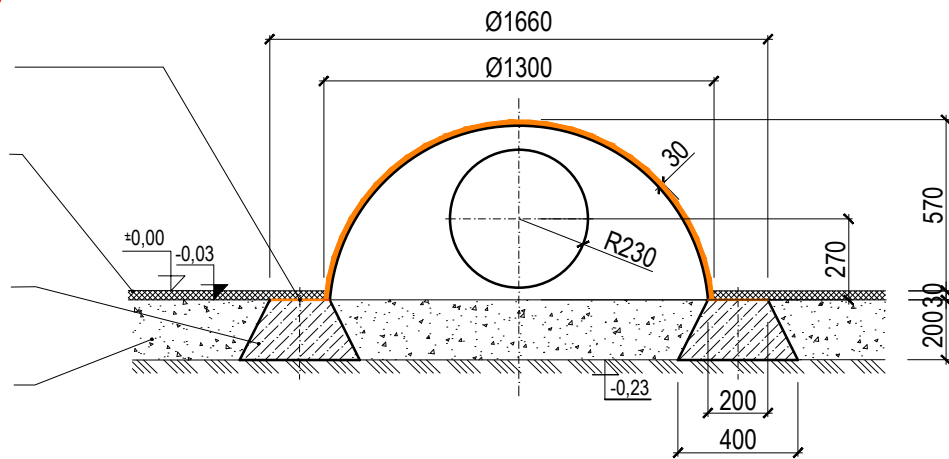


SECTION (1:25)

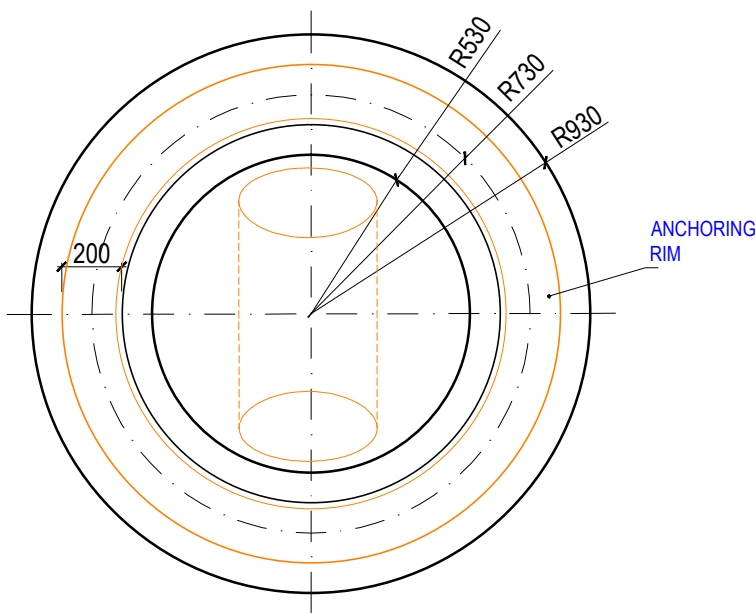
anchored by screws,
see detail
safety rubber surface
h=30mm

concrete h=200 mm
C16/20

gravel layer h=200mm

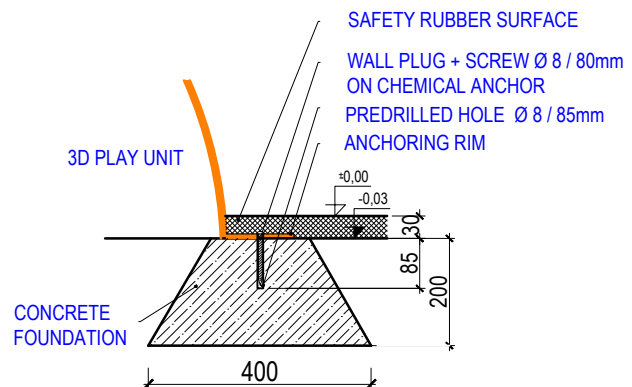


FOUNDATION GROUND PLAN (1:25)



Tube can be either from PVC
or stainless steel as per customer's request

ANCHORING DETAIL (1:10)



Author:

MgA. Maxmilián Blíšák

3D PROGRAM, s.r.o.

Objízdná 1911
765 02 Otrokovice, Czech Republic

Tel: +420 602 500 045
Email: info@3dprogram.eu



TECHNICAL DRAWING

E10p, E10s - HILL L WITH TUBE

Foundation and anchoring - ground plan and section

Certified according to EN71 , EN1176

Date of issue 22.2.2021

M 1:25, 1:10

E010_EN.dwg

format 1xA4

revision 0