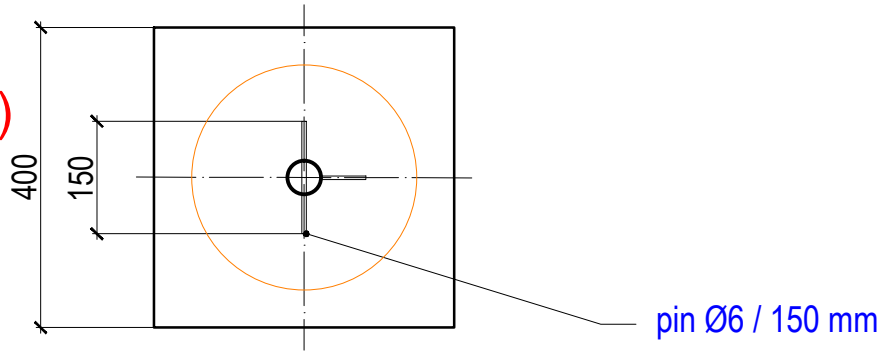
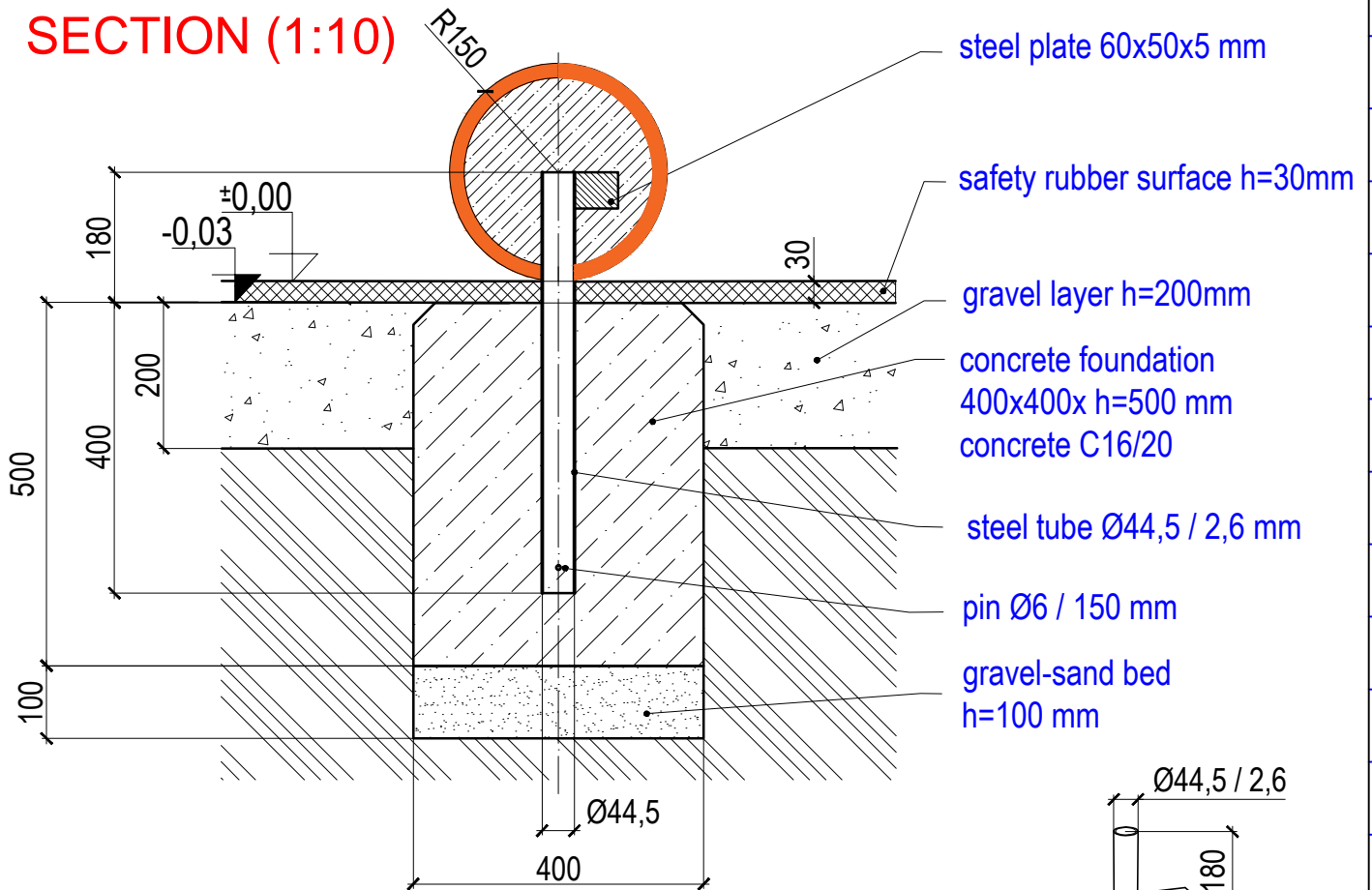


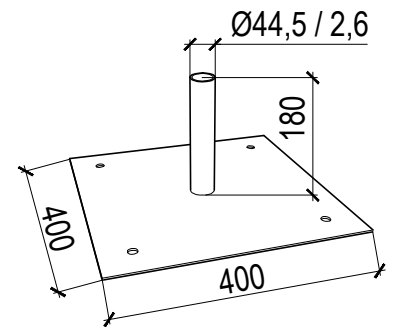
GROUND PLAN (1:10)




SECTION (1:10)



Optionally anchored with steel plate for surface installation



Author:		3D PROGRAM, s.r.o.	
MgA. Maxmilián Bišták		Objízdná 1911 765 02 Otrokovice, Czech Republic	
		Tel: 602 500 045 Email: info@3dprogram.eu	
TECHNICAL DRAWING		Certified according to	EN71 , EN1176
		Date of issue	22.2.2021
SPHERE - B08a-3		M 1:10	format 1xA4
Foundation and anchoring - ground plan and section		B08_EN.dwg	revision 0